



Scan the barcode with your Smart-Phone app and view the latest publication of this document

Series V8 Ball Valves

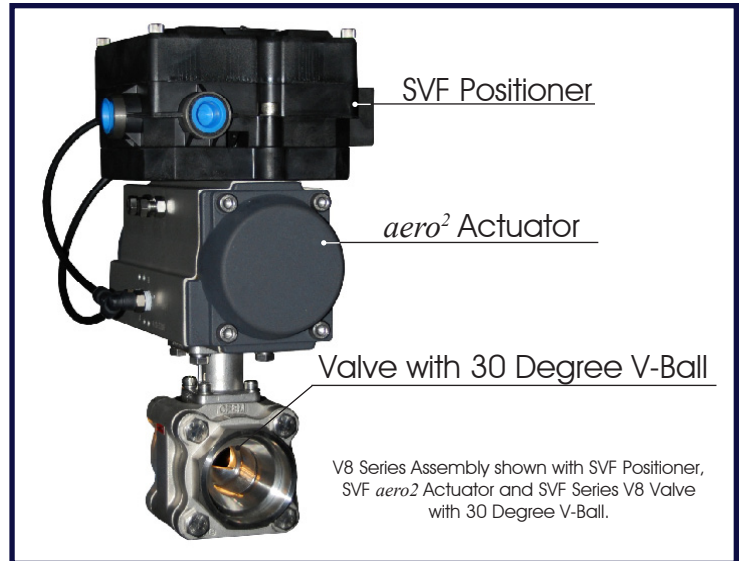
Three-Piece Characterized "V" Ball Valve
Sizes 1/2" ~ 2"



The SVF Series Characterized "V8" Ball Valves feature a high performance design for use in critical, process-quality applications. The V8 design provides high rangeability and precision throttling required for clean or dirty liquids and gases.

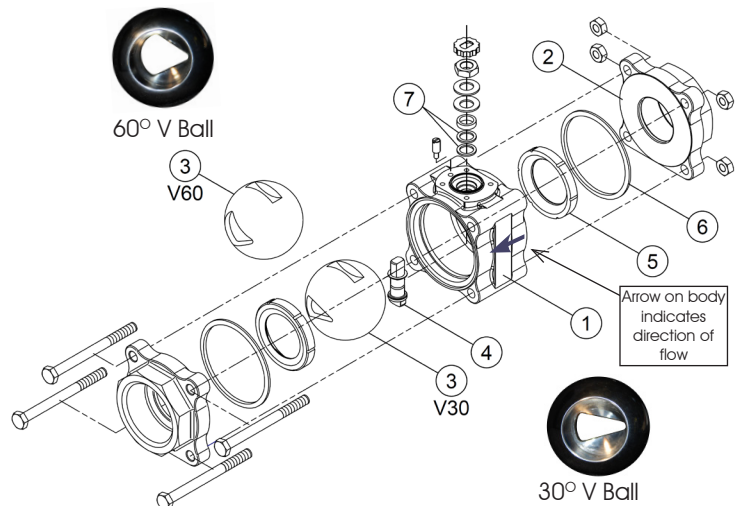
SERIES V8 DESIGN FEATURES

- ✓ Characterized "V" Ball with 60° and 30° V-Port provides "equal percentage" flow control
- ✓ High performance design for process-quality applications
- ✓ Encapsulated body seals to facilitate welding without disassembly
- ✓ Live-loaded stem packing ensures seal-tight pressure containment under continuous cycling
- ✓ Three-piece "swing out" design offers easy access for in-line maintenance
- ✓ ISO 5211 mounting pad for easy actuation
- ✓ Standard seat material is SupraLon™
- ✓ SVF Positioner is available with a selection of characterized cams for linear and quick-opening control
- ✓ Full range of options to suit specific requirements



MATERIALS OF CONSTRUCTION

ITEM #	PART NAME	MATERIALS SPECIFICATIONS (Additional options available)
1	Body	316 Stainless Steel (ASTM A351 CF8M), Carbon Steel (ASTM A216 WCB)
2	End Connector	316L Stainless Steel (ASTM A351 CF3M), Carbon Steel (ASTM A216 WCB)
3	Ball	316 Stainless Steel (ASTM A351 CF8M)
4	Stem	17-4 pH Stainless Steel
5	Seat	SupraLon™
6	Body Seal	PTFE
7	Stem Seal	SupraLon™



HIGH PRESSURE DROPS

Engineered to withstand high pressure drops while providing leak-free operation, the SVF "V" Ball Series delivers the precise control required in today's process control industries. The ΔP limit is up to 500 psi for liquids and up to 300 psi for steam. Consult SVF for additional information on valve sizing and pressure drop limitations for your particular application.

What do you need today?™

HIGH PURITY VALVES
CleanFLOW
CleanFLOWValves.net

PRO-SPEC
PROCESS SPECIFIC
WWW.PRO-SPEC.NET

QUALITY FLOWS
THROUGH US

Subject to revision. Please visit www.SVF.net for the latest updates on this Data Sheet. All Data Sheets posted on our website supersede all prior publications • [Document # SVF_V8_Data_Sheet - 11/26/2014]

www.SVF.net

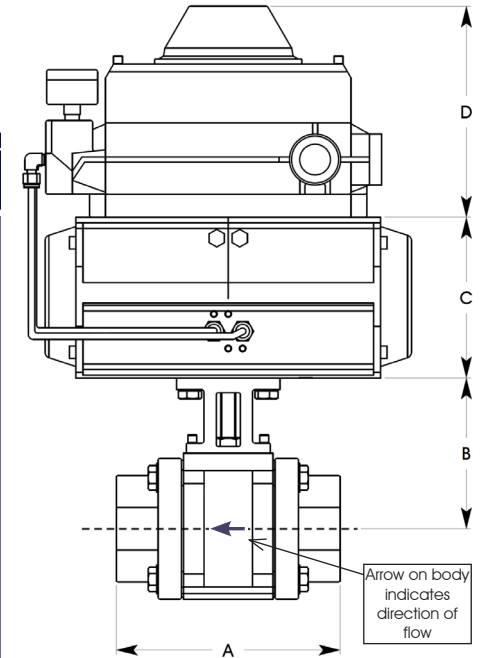
SVF Flow Controls, Inc. • 13560 Larwin Circle • Santa Fe Springs, CA 90670 • Tel: 1.800.783.7836 • FAX: 562.802.3114
Sales@SVF.net • Visit our website: www.SVF.net • © SVF Flow Controls, Inc. • Specifications subject to change without notice



DIMENSIONS, WEIGHT, TORQUE (Weights shown are Valve weights only)

Size	A		B		C		D*		Weight		Torque**	
	in.	mm	in.	mm	in.	mm	in.	mm	lbs	kg	in-lbf	Nm
1/2"	2.6	66	2.5	64	See Table "C" Below	4.2	107	2	0.9	65	7	
3/4"	2.8	71	2.7	69								
1"	3.7	94	2.9	74								
1-1/2"	4.6	117	3.6	91								
2"	5.0	127	3.7	94								

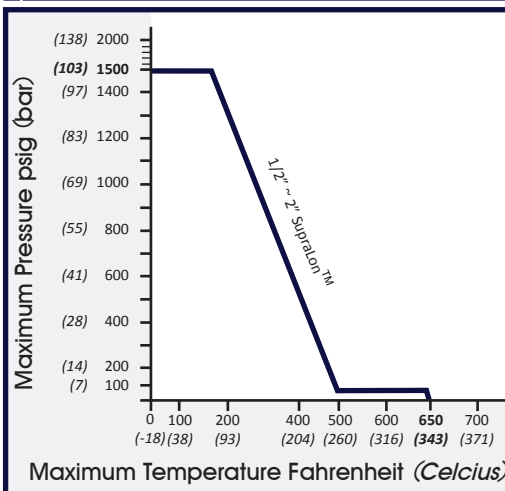
** At full differential pressure for clean fluids with SupraLon™ Seats



aero² DIMENSIONS "C"

aero ² Model	C		Actuator Dimensions (inches)
	in.	mm	
A2-20	3.6	91	5.8 x 2.8
A2-35	4.2	107	6.6 x 3.3
A2-50	4.7	119	7.3 x 3.7
A2-75	5.0	127	8.0 x 4.0
A2-110	5.4	137	10.4 x 4.3
A2-160	6.0	152	10.6 x 4.8
A2-255	6.9	175	11.7 x 5.7
A2-400	7.5	191	15.4 x 6.0

PRESSURE/TEMPERATURE CHART



V8 Cv VALUES

IDEAL CONTROL RANGE

Size	V Angle	10%	20%	30%	40%	50%	60%	70%	80%	90%	100%
1/2"	30°	0.05	0.11	0.24	0.41	0.62	0.88	1.20	1.55	1.95	2.38
	60°	0.07	0.16	0.38	0.67	1.00	1.45	2.05	2.78	3.71	4.96
3/4"	30°	0.02	0.13	0.27	0.44	0.65	0.94	1.30	1.75	2.37	3.20
	60°	0.10	0.27	0.57	1.04	1.55	2.21	2.93	3.85	5.04	6.48
1"	30°	0.06	0.18	0.42	0.84	1.46	2.23	3.16	4.13	5.30	6.90
	60°	0.13	0.35	0.92	1.72	2.64	4.07	5.78	8.15	10.95	15.17
1-1/2"	30°	0.17	0.60	0.99	1.68	2.88	4.60	6.67	9.86	13.51	17.73
	60°	0.26	0.71	2.04	3.61	6.44	9.89	13.80	19.32	27.95	37.38
2"	30°	0.19	0.80	1.90	3.10	4.90	6.86	9.54	13.16	17.90	24.40
	60°	0.34	0.97	2.88	5.40	8.20	12.10	17.70	25.10	34.30	48.40

CV VALUES FOR ROUND PORT (STANDARD PORT) BALL VALVES - BASED ON PERCENT OF RATED TRAVEL

Size	0%	10%	20%	30%	40%	50%	60%	70%	80%	90%	100%
1/2"	0.00	0.15	0.29	0.46	0.70	1.09	1.76	2.60	4.30	6.40	8.00
3/4"	0.00	0.21	0.43	0.70	1.05	1.62	2.64	4.00	6.40	9.60	12.00
1"	0.00	0.58	1.15	1.90	2.80	4.30	7.00	10.50	17.00	26.00	32.00
1-1/4"	0.00	0.83	1.65	2.67	4.05	6.50	10.00	15.20	24.60	36.00	57.00
1-1/2"	0.00	1.48	2.95	4.75	7.20	11.00	18.00	27.00	44.00	65.50	80.00
2"	0.00	1.77	3.55	5.70	8.61	13.30	21.60	32.50	52.50	78.70	104.00
3"	0.00	5.90	11.70	18.70	28.80	43.90	72.00	106.60	172.80	259.20	320.00

Please refer to the next page for our comprehensive How to Order Guide for Series V8 Ball Valves.



Three-Piece Characterized "V" Ball, Sizes 1/2" ~ 2"

Ordering Code Sequence (Columns 1 thru 11)

1	2	3	4	5	6
SERIES	BODY	ENDS	BALL	STEM	SEAT MATERIAL
V800 = Series V8	4 = Carbon Steel ASTM A216 WCB	4 = Carbon Steel ASTM A216 WCB	6 = 316 Stainless Steel ASTM A351 CF8M	M = Stainless Steel 17-4 pH ASTM A564 630	S = SupraLon (Standard) A = TFM1600™ D = Delrin U = UHMWPE K = PEEK
	6 = 316 Stainless Steel ASTM A351 CF8M	6 = 316L Stainless Steel ASTM A351 CF3M			
7	8	9	10	11	
BODY SEAL	END CONNECTIONS	VALVE SIZE	OPTIONS*	SPECIAL SERVICES*	
T = PTFE (Standard) S = SupraLon B = Buna "N" G = GRAFOIL U = UHMWPE V = Viton E = EPDM	SE0 = Screwed Ends (FNPT) SW0 = Socket Weld Ends BW0 = Butt Weld Ends Schedule 40 wall (Standard) AAA = Screwed End X Socket Weld End AAB = Screwed End X Butt Weld (Sch-40) End AAD = Screwed End X Butt Weld (Sch-10) End Butt Weld Ends: BWA = Schedule 5 BWB = Schedule 10 BWC = Schedule 80	005 = 1/2" 007 = 3/4" 010 = 1" 015 = 1-1/2" 020 = 2"	00 = None V3 = 30° V-Port Control Ball V6 = 60° V-Port Control Ball SX = ISO Cast Stem Extension AD = Anti-Static Device SC = Secondary Containment LK = Locking Device AC = Locking Device & Anti-Static Device AG = ISO Cast Stem Extension & Locking Device JE = Locking Device, ISO Cast Stem Extension & Anti-Static Device	00 = None XC = Oxygen Cleaned SF = Degreased (Silicone Free)	

Order Example: (V800446MSTSE0005V300) The Part Number will contain 20 digits.

Ordering Code Sequence >>

Sample Part Number >>

1	2	3	4	5	6	7	8	9	10	11
V800	4	4	6	M	S	T	SE0	005	V3	00



* Not all Options or Special Services available on all ball valves. Consult SVF for additional information.
** Delrin Seats **cannot** be used for Oxygen Service