

# EZ-TORK Pneumatic Actuator

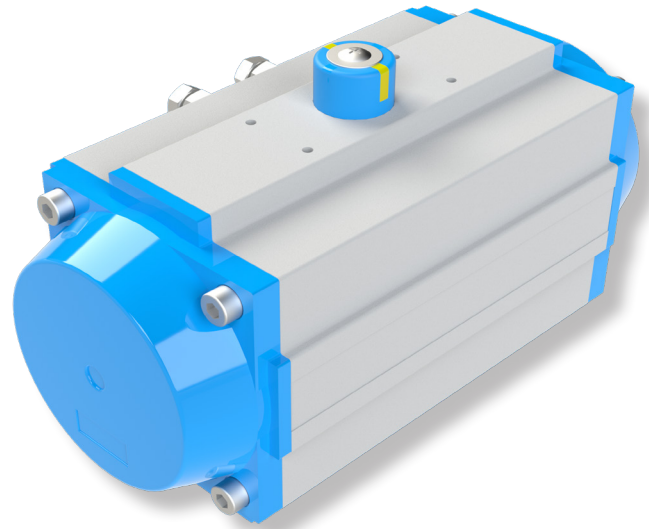
## High Performance Compact Pneumatic Actuator



The pneumatic rack & pinion actuator is manufactured using the latest materials and methods to provide dependable and smooth operation in demanding process control conditions.

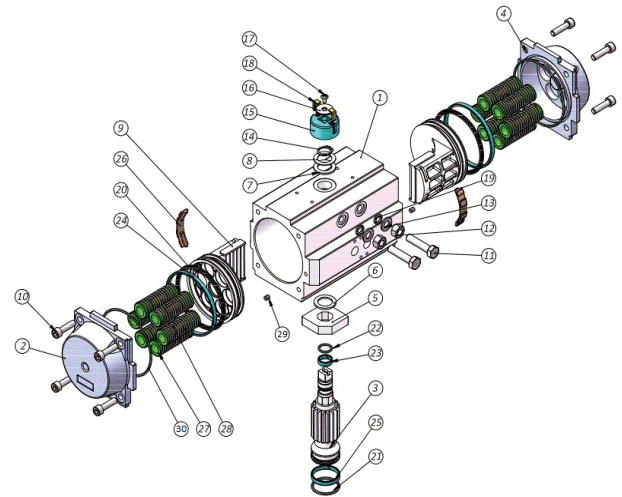
### EZ-TORK DESIGN FEATURES

- ✓ Hard Anodized aluminum housing
- ✓ "Versa-View" Continuous mechanical position indicator
- ✓ Nickel Plated Alloy drive shaft
- ✓ ISO/NAMUR design for universal mounting and accessory attachment
- ✓ Bi-Directional Stroke Adjustment
- ✓ 1/8", 1/4" and 1/2" NPT air inlet manifold



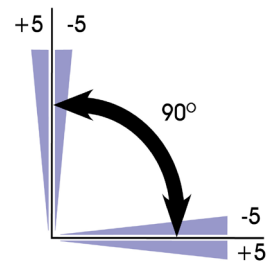
### MATERIALS OF CONSTRUCTION

ITEM	DESCRIPTION	MATERIALS SPECIFICATIONS
1	Body	Aluminum Alloy Hard Anodized
2	Left End Cap	Aluminum Alloy
3	Drive Shaft	Alloy Steel & Nickel Plated
4	Right End Cap	Aluminum Alloy
5	Stroke Adjustment Stop	Alloy Steel
6	Thrust Bearing (Pinion Top)	POM + PTFE
7	Thrust Bearing	POM + PTFE
8	Thrust Washer	Stainless Steel
9	Piston	Aluminum Alloy
10	Cap Screw (End Cap)	Stainless Steel
11	Stop Top Screw	Stainless Steel
12	Nut (Stop Screw)	Stainless Steel
13	Washer (Stop Screw)	Stainless Steel
14	Spring Clip	Spring Steel
15	Indicator Cap	POM + PTFE
16	Indicator Thrust Bearing	Stainless Steel
17	Cap Screw (End Cap)	Stainless Steel
18	Piston Indicator	Nylon
19	O-Ring (Stop Screw)	NBR
20	O-Ring (Piston)	NBR
21	O-Ring (Pinion Bottom)	NBR
22	O-Ring (Pinion Top)	NBR
23	Bearing (Pinion Top)	POM+PTFE
24	Bearing (Piston Head)	POM+PTFE
25	Bearing (Pinion Bottom)	POM+PTFE
26	Wear Band	POM+PTFE
27	Spring Seat	POM+PTFE
28	Spring	High Carbon Steel
29	Plug	NBR
30	O-Ring (End Cap)	NBR



### BI-DIRECTIONAL STROKE ADJUSTMENT

EZ-Tork actuators feature bi-directional pinion travel stops. These stops allow for true  $\pm 5^\circ$  for valve travel adjustment to ensure precise positioning in all flow control services. The EZ-Tork travel stops are designed to absorb the maximum rated torque of the actuator and the maximum impact loads associated with the recommended stroke speed.



*What do you need today?*™



# EZ-TORK Pneumatic Actuator

## High Performance Compact Pneumatic Actuator



### EZ-TORK WEIGHT

Model	Double Acting		Spring Return	
	lbs	kg	lbs	kg
32	1.8	0.8	n/a	n/a
50	2.6	1.2	2.9	1.3
95	4.6	2.1	5.1	2.3
75	6.4	2.9	7.1	3.2
85	8.4	3.8	9.3	4.2
95	12.1	5.5	13.4	6.1
110	14.6	6.6	16.8	7.6
125	24.9	11.3	28.4	12.9
140	30.4	13.8	35.1	15.9
160	45.2	20.5	52.7	23.9
190	64.4	29.2	76.5	34.7
210	89.7	40.7	108.9	49.4
240	146.8	66.6	176.4	80.0
270	179.50	81.4	224.7	101.9
300	238.1	108.0	298.9	135.6
350	323.4	146.7	414.7	188.1
400	486.1	220.5	625.0	283.5

How To Order Guide (Columns 1 thru 11)

Series	Model	Springs	Seals
EZD = Double Acting	32*	9	B = Buna (Standard -5°F to 176°F / -15°C to 80°C) V = Viton (High Temperature -5°F to 300°F / -15°C to 150°C) S = Silastic (Low Temperature -76°F to 176°F / -60°C to 80°C)
	50	11	
EZS = Spring Return	65		
	75		
	85		
	95		
	110		
	125		
	140		
	160		
	190		
	210		
	240		
	270		
300			
350			
400		* Model 32 is only available as double acting	

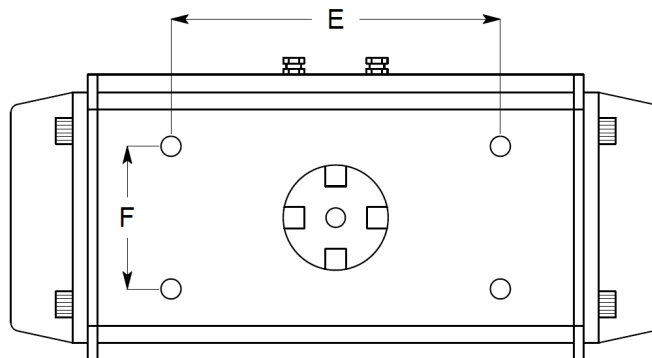
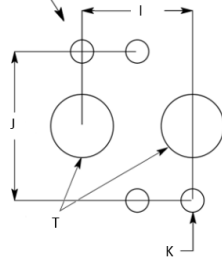
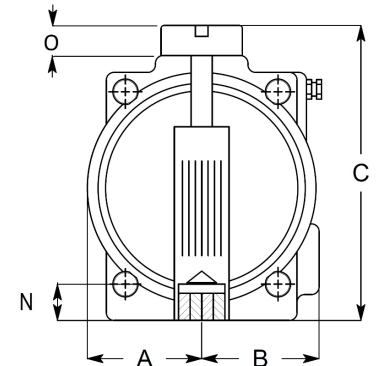
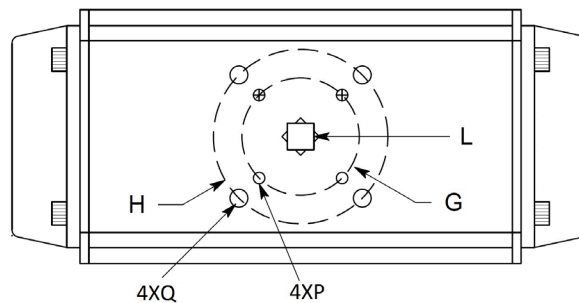
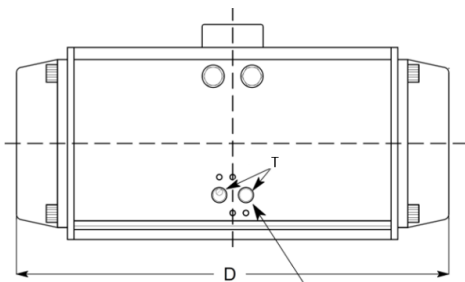
# EZ-TORK Pneumatic Actuator

## High Performance Compact Pneumatic Actuator



### EZ-TORK DIMENSIONS (INCHES)

Model	A	B	C	D	E	F	G	H	Flange	I	J	K	L sq	N	4XP	4XQ	O	T
	in	in	in	in	in	in	in	in	ISO 5211	in	in	in	in	in	UNC	UNC	in	in
32	0.79	1.06	2.76	4.33	1.97	1.18	-	1.42	F03	0.945	1.26	#10-24UNC X 0.31	0.43	0.39	-	#10-24UNC x 0.35	0.79	1/8" NPT
50	1.15	1.63	3.55	6.06	3.15	1.18	1.42	1.97	F03/05	0.945	1.26	#10-24UNC X 0.31	0.43	0.47	#10-24UNC x 0.29	1/4"-20UNC x 0.35	0.79	1/4" NPT
65	1.49	2.03	4.29	7.44	3.15	1.18	1.97	2.76	F05/07	0.945	1.26	#10-24UNC X 0.31	0.55	0.63	1/4"-20UNC x 0.35	5/16"-18UNC x 0.47	0.79	1/4" NPT
75	1.72	2.32	4.73	8.27	3.15	1.18	1.97	2.76	F05/07	0.945	1.26	#10-24UNC X 0.31	0.55	0.63	1/4"-20UNC x 0.35	5/16"-18UNC x 0.47	0.79	1/4" NPT
85	1.93	2.5	5.24	9.02	3.15	1.18	1.97	2.76	F05/07	0.945	1.26	#10-24UNC X 0.31	0.67	0.75	1/4"-20UNC x 0.35	5/16"-18UNC x 0.47	0.79	1/4" NPT
95	2.16	2.8	5.63	10.39	3.15	1.18	1.97	2.76	F05/07	0.945	1.26	#10-24UNC X 0.31	0.67	0.75	1/4"-20UNC x 0.35	5/16"-18UNC x 0.47	0.79	1/4" NPT
110	2.44	3.01	6.14	10.47	3.15	1.18	2.76	4.02	F07/10	0.945	1.26	#10-24UNC X 0.31	0.67	0.75	5/16"-18UNC x 0.47	3/8"-16UNC x 0.59	0.79	1/4" NPT
125	2.83	3.35	7.52	13.27	3.15	1.18	2.76	4.02	F07/10	0.945	1.26	#10-24UNC X 0.31	0.86	0.98	5/16"-18UNC x 0.47	3/8"-16UNC x 0.59	1.18	1/4" NPT
140	3.19	3.82	8.19	14.84	3.15	1.18	4.02	4.92	F10/12	0.945	1.26	#10-24UNC X 0.31	1.06	1.22	3/8"-16UNC x 0.59	1/2"-13UNC x 0.71	1.18	1/4" NPT
160	3.55	4.17	9.05	16.22	5.12	1.18	4.02	4.92	F10/12	0.945	1.26	#10-24UNC X 0.31	1.06	1.22	3/8"-16UNC x 0.59	1/2"-13UNC x 0.71	1.18	1/4" NPT
190	4.11	4.41	10.31	19.21	5.12	1.18	4.02	5.51	F10/14	0.945	1.26	#10-24UNC X 0.31	1.42	1.65	4-3/8"-16UNC x 0.59	4-5/8"-11UNC x 0.94	1.18	1/4" NPT
210	4.55	4.72	11.22	21.65	5.12	1.18	-	5.51	F14	0.945	1.26	#10-24UNC X 0.31	1.42	1.65	-	4-5/8"-11UNC x 0.94	1.18	1/4" NPT
240	5.15	5.16	12.68	23.7	5.12	1.18	-	6.5	F16	0.945	1.26	#10-24UNC X 0.31	1.8	1.97	-	4-3/4"-10UNC x 1.10	1.18	1/2" NPT
270	5.8	5.81	14.21	26.46	5.12	1.18	-	6.5	F16	0.945	1.26	#10-24UNC X 0.31	1.8	1.97	-	4-3/4"-10UNC x 1.10	1.18	1/2" NPT
300	6.38	6.81	15.12	30.87	5.12	1.18	-	6.5	F16	0.945	1.26	#10-24UNC X 0.31	1.8	1.97	-	4-3/4"-10UNC x 1.10	1.18	1/2" NPT
350	7.48	7.68	17.32	33.27	5.12	1.18	6.5	10	F16/25	0.945	1.26	#10-24UNC X 0.31	1.8	1.97	4-3/4"-10UNC x 1.10	8-5/8"-11UNC x 1.19	1.18	1/2" NPT
400	10.23	10.24	19.53	37.64	5.12	1.18	-	10	F25	1.575	1.772	1/4"-20UNC X 0.38	2.2	2.36	-	8-5/8"-11UNC x 1.19	1.18	1/2" NPT



# EZ-TORK Pneumatic Actuator

## High Performance Compact Pneumatic Actuator



### EZ-TORK SPRING RETURN TORQUE OUTPUT (in-lbf)

Model	Supply Pressure	
	60 PSI Torque	80 PSI Torque
EZS-50-9	56	68
EZS-65-7	108	139
EZS-75-9	171	208
EZS-85-9	242	302
EZS-95-9	352	430
EZS-110-9	456	557
EZS-125-9	813	993
EZS-140-9	1238	1,529
EZS-160-9	1752	2,142
EZS-190-9	2796	3,452
EZS-210-9	3909	4,779
EZS-240-9	6237	7,699
EZS-270-9	8661	10,692
EZS-300-9	10813	13,354
EZS-350-9	15841	19,362
EZS-400-9	24969	30,686

### EZ-TORK DOUBLE ACTING TORQUE OUTPUT (in-lbf)

Model	Supply Pressure	
	60 PSI Torque	80 PSI Torque
EZD-32	47	58
EZD-50	142	175
EZD-65	288	355
EZD-75	447	551
EZD-85	657	809
EZD-95	922	1,137
EZD-110	1,206	1,483
EZD-125	2,154	2,650
EZD-140	3,186	3,912
EZD-160	4,412	5,427
EZD-190	6,956	8,538
EZD-210	9,712	11,919
EZD-240	15,064	18,490
EZD-270	21,180	25,995
EZD-300	27,253	33,447
EZD-350	40,446	49,638
EZD-400	61,632	75,639