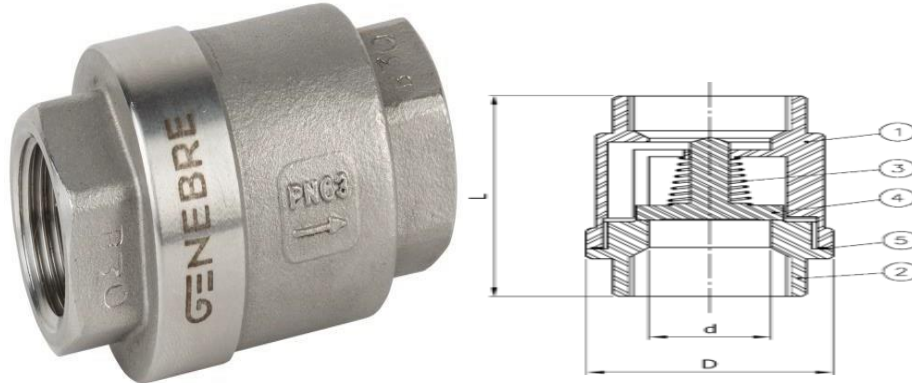


- Stainless Steel NPT In-line check valve
- 1/4"-2"
- ASME B 1.20.1
- Maximum PSI. 900
- Temperature to -20°F-450°F
- Stainless steel disc, stainless steel spring
- Metal to metal seating for high heat applications
- Low cracking pressure

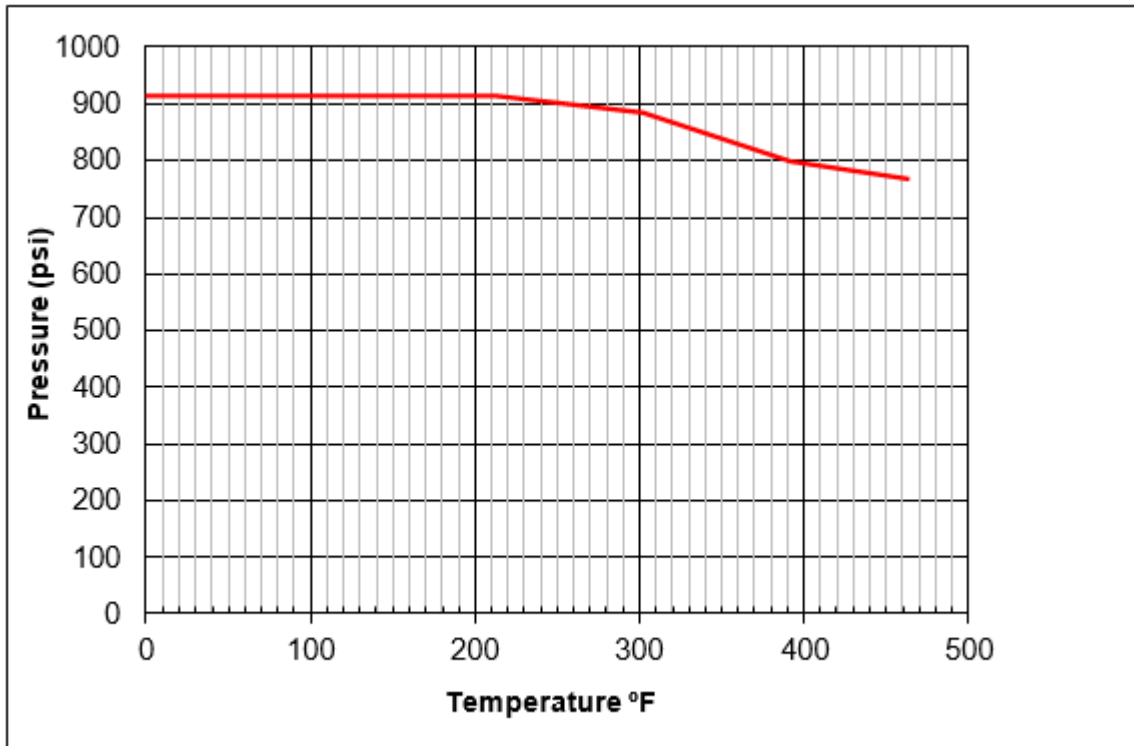
OSB892416N



| NUMBER | PART | MATERIAL | SURFACE TREATMENT |
|--------|--------|---------------------|-------------------|
| 1 | BODY | CF8M | SHOT BLASTING |
| 2 | SEAT | CF8M | SHOT BLASTING |
| 3 | SPRING | 316 STAINLESS STEEL | |
| 4 | DISC | CF8M | SHOT BLASTING |
| 5 | GASKET | PTFE | |

| PART NUMBER | SIZE | PSI | d" | D" | L" | WEIGHT lbs |
|---------------|--------|-----|------|------|------|------------|
| OSB2416N-025 | 1/4" | 900 | 0.31 | 1.20 | 2.09 | 0.38 |
| OSB2416N -038 | 3/8" | 900 | 0.39 | 1.20 | 2.09 | 0.35 |
| OSB2416N -050 | 1/2" | 900 | 0.59 | 1.46 | 2.20 | 0.47 |
| OSB2416N -075 | 3/4" | 900 | 0.79 | 1.65 | 2.48 | 0.64 |
| OSB2416N -100 | 1" | 900 | 0.98 | 1.89 | 2.91 | 0.91 |
| OSB2416N -125 | 1-1/4" | 900 | 1.18 | 2.28 | 3.19 | 1.46 |
| OSB2416N -150 | 1-1/2" | 900 | 1.50 | 2.76 | 3.58 | 2.19 |
| OSB2416N -200 | 2" | 900 | 1.85 | 3.23 | 3.82 | 3.13 |

TEMPERTURE/PRESSURE CHART



C_v = The flow rate of water (g.p.m.) which generates a pressure drop of 1 psi across the fully open valve.

| | | | | | | | | | | |
|------|------|------|------|------|--------|--------|------|--------|------|-----|
| 1/4" | 3/8" | 1/2" | 3/4" | 1" | 1 1/4" | 1 1/2" | 2" | 2 1/2" | 3" | 4" |
| 0,21 | 1,28 | 3,81 | 8,21 | 14,7 | 16,3 | 26 | 36,4 | 62,4 | 86,7 | 127 |

OS&B® Industrial
 13-495 Woodward Ave., Hamilton, Ontario, Canada L8H 6N6
 T. 1.905.661.0976 F. 1.905.667.1842

All rights reserved. OS&B® Industrial reserves the right to change product specifications and material or discontinue models without notice.

www.osbindustrial.ca