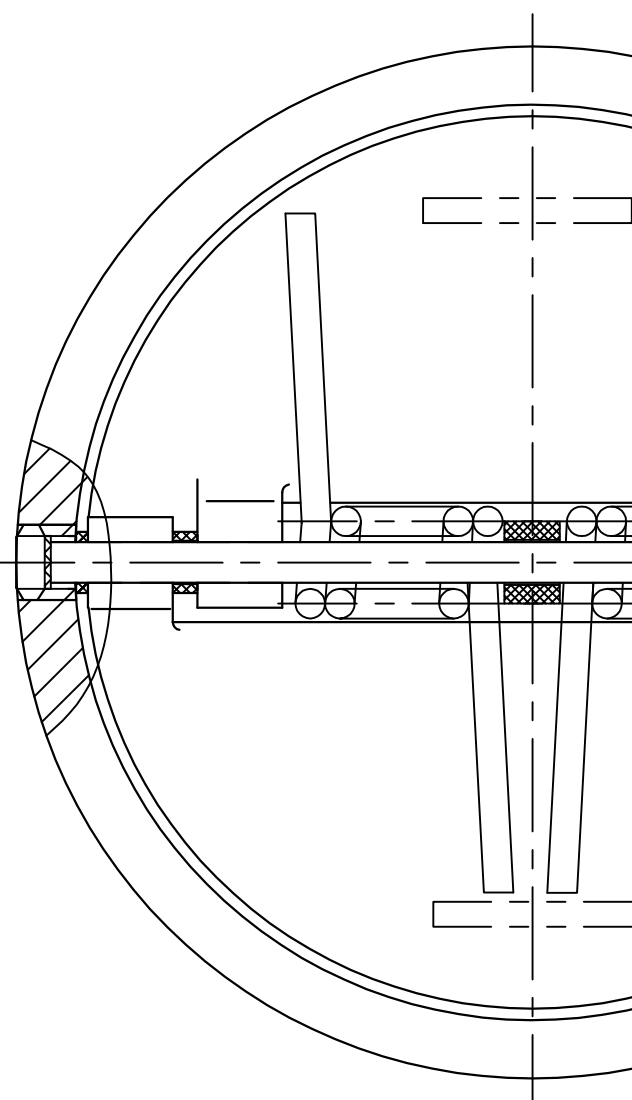


|                       |                  |
|-----------------------|------------------|
| Design standard       | API594           |
| Test standard         | API598           |
| Flange standard       | ASME B16.1 CL125 |
| Face to face standard | API594 CL125     |

Surface Protection: NSF Epoxy Coated

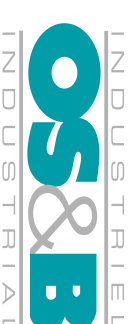
| Size | inch | $\phi D$ | $\phi D1$ | $\phi D2$ | L     |     | R  | T |
|------|------|----------|-----------|-----------|-------|-----|----|---|
|      |      |          |           |           | CL125 |     |    |   |
| 50   | 2"   | 101      | 65        | 40        | 54    | 29  | 19 |   |
| 65   | 2.5" | 121      | 80        | 60        | 60    | 36  | 20 |   |
| 80   | 3"   | 134      | 94        | 70        | 67    | 43  | 28 |   |
| 100  | 4"   | 171      | 117       | 88        | 67    | 53  | 27 |   |
| 125  | 5"   | 193      | 145       | 115       | 83    | 66  | 30 |   |
| 150  | 6"   | 219      | 170       | 134       | 95    | 79  | 31 |   |
| 200  | 8"   | 276      | 224       | 182       | 127   | 104 | 33 |   |
| 250  | 10"  | 336      | 265       | 220       | 140   | 127 | 50 |   |
| 300  | 12"  | 406      | 310       | 260       | 181   | 148 | 43 |   |
| 350  | 14"  | 447      | 360       | 298       | 184   | 172 | 45 |   |
| 400  | 16"  | 511      | 410       | 350       | 191   | 197 | 52 |   |
| 450  | 18"  | 546      | 450       | 385       | 203   | 218 | 58 |   |
| 500  | 20"  | 603      | 505       | 438       | 213   | 241 | 58 |   |
| 600  | 24"  | 714      | 624       | 538       | 222   | 295 | 73 |   |



| NO. | CODE | NAME   | MATERIAL   | QTY | REMARK |
|-----|------|--------|------------|-----|--------|
| 5   |      | STEM   | SS316      | 2   |        |
| 4   |      | SPRING | SS316      | 2   |        |
| 3   |      | DISC   | SS316      | 2   |        |
| 2   |      | SEAT   | EPDM       | 1   | NSF    |
| 1   |      | BODY   | ASTM A126B | 1   |        |

| Itemref  | Quantity   | Title/Name, designation, material, dimension etc | Article No./Reference |
|--|--|--|-----------------------|
| Designed by ZY <td>Checked by <td>Approved by - date <td>File name </td></td></td> | Checked by <td>Approved by - date <td>File name </td></td> | Approved by - date <td>File name </td>           | File name             |
|  |  |  | Date 2019/6/26        |

WAFFER TYPE CHECK VALVE



Series #25:H76X10/16-00

Edition A Sheet