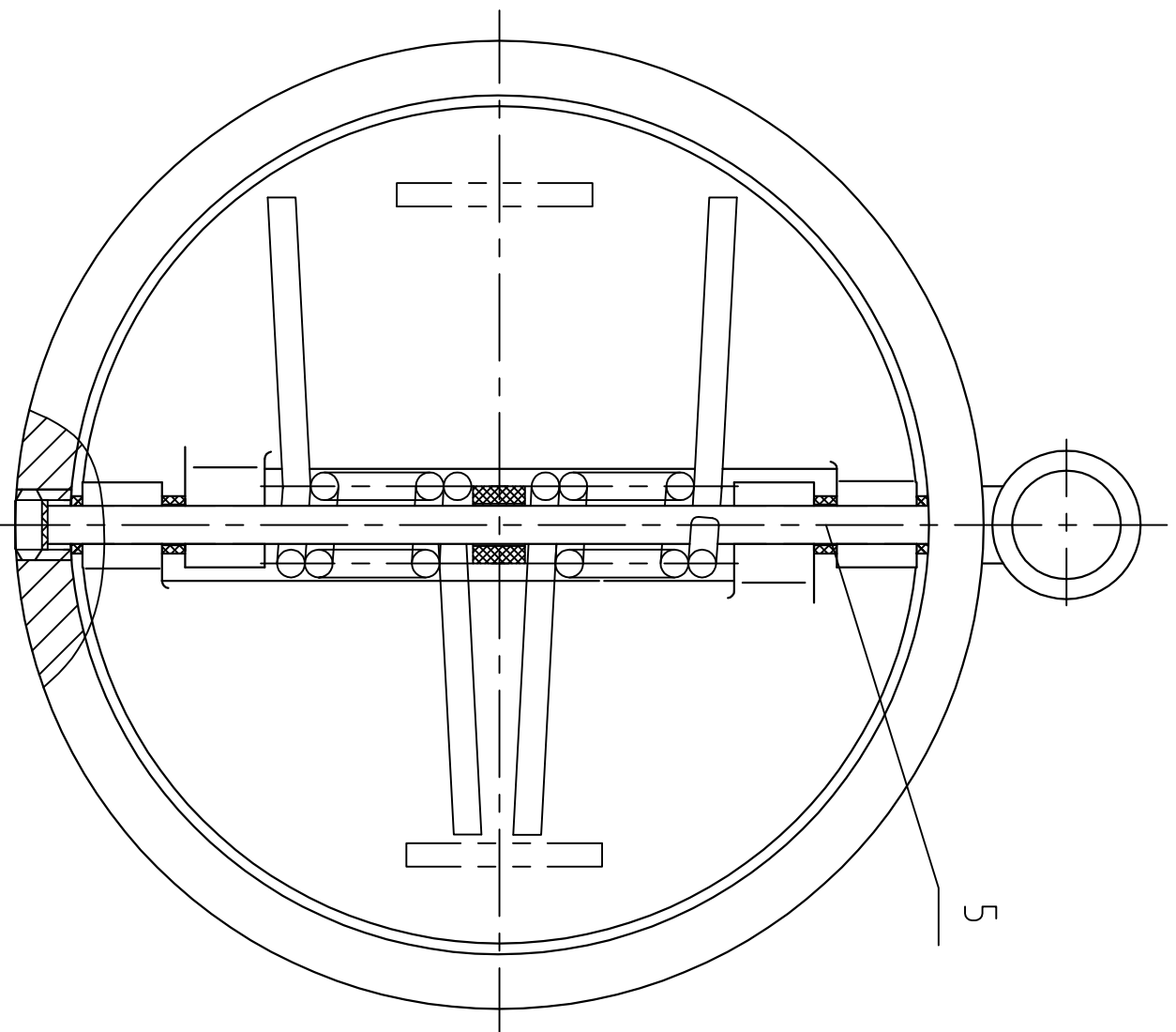


Design standard	API594
Test standard	API598
Flange standard	ASME B16.1 CL125
Face to face standard	API594 CL125

Surface Protection: NSF Epoxy Coated

Size	inch	ϕD	$\phi D1$	$\phi D2$	L		R	T
					CL125			
50	2"	101	65	40	54		29	19
65	2.5"	121	80	60	60		36	20
80	3"	134	94	70	67		43	28
100	4"	171	117	88	67		53	27
125	5"	193	145	115	83		66	30
150	6"	219	170	134	95		79	31
200	8"	276	224	182	127		104	33
250	10"	336	265	220	140		127	50
300	12"	406	310	260	181		148	43
350	14"	447	360	298	184		172	45
400	16"	511	410	350	191		197	52
450	18"	546	450	385	203		218	58
500	20"	603	505	438	213		241	58
600	24"	714	624	538	222		295	73

5		STEM	SS316	2	
4		SPRING	SS316	2	
3		DISC	SS316	2	
2		SEAT	EPDM	1	NSF
1		BODY	ASTM A126B	1	
NO.		CODE	MATERIAL	QTY	REMARK



Itemref	Quantity	Title/Name, designation, material, dimension etc			Article No./Reference
Designed by	ZY	Checked by	Approved by - date	File name	Date
					2019/6/26

WAFFER TYPE CHECK VALVE

INDUSTRIEL
OS&B
INDUSTRIAL

Series #25:H76X10/16-00

Edition
A

Sheet