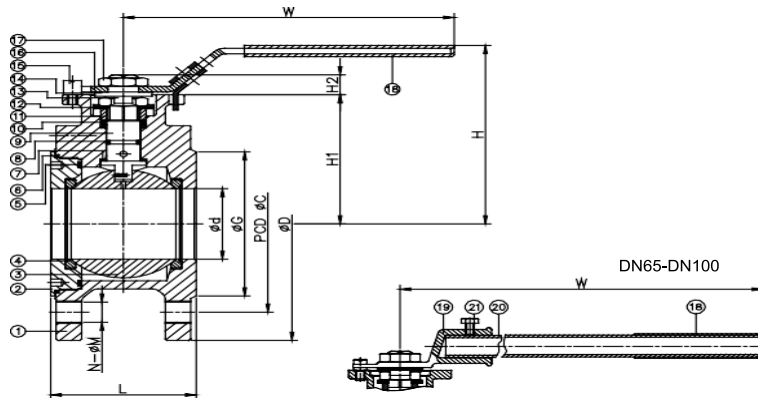
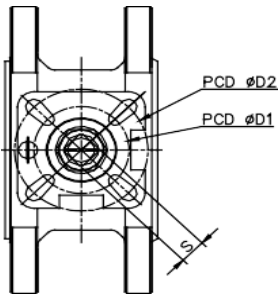


-Full Port, 1/2"-4"
 -Wafer Type 150# 316 Stainless Steel Ball Valve
 -Blow-out proof stem, ISO5211 direct mounting pad
 -Locking lever handle

OSB7115



ITEM	PARTS	MATERIAL	
1	BODY	1.4408	1.0619
2	CAP		
3	BALL	ASTM A351-CF8M	
4	SEAT	RTFE	
5	SEAL A	PTFE	
6	SEAL B		
7	THRUST WASHER		
8	O-RING	VITON	
9	STEM	1.4401	
10	PACKING	PTFE	
11	GLAND RING	1.4301	
12	BELLEVILLE WASHER	1.4310	
13	LOCK WASHER	1.4301	
14	FLAT WASHER		
15	STOPPER	1.4301	
16	HANDLE	STAINLESS STEEL	
17	NUT	1.4301	
18	HANDLE SLEEVE	PVC	
19	HANDLE HEAD	1.4301	
20	STEEL TUBE		
21	BOLT		



NPS	d	G	C	D	L	H	H1	H2	W	S	D1	D2	N	M	Torque (in-lb)
1/2"	0.59	1.77	2.56	3.74	1.65	3.39	2.13	0.35	4.78	0.35	1.42	1.65	4	M12	53.1
3/4"	0.79	2.28	2.95	4.13	1.73	3.58	2.32	0.35	4.78	0.35	1.42	1.65	4	M12	70.8
1"	0.98	2.68	3.35	4.53	1.97	3.92	2.6	0.43	5.91	0.43	1.65	1.97	4	M12	88.5
1-1/4"	1.26	3.07	3.94	5.51	2.36	4.37	3.05	0.43	5.91	0.43	1.65	1.97	4	M16	132.8
1-1/2"	1.57	3.46	4.33	5.91	2.56	4.69	3.31	0.55	7.09	0.55	1.97	2.76	4	M16	194.7
2"	1.97	4.02	4.92	6.5	3.15	4.98	3.6	0.55	7.09	0.55	1.97	2.76	4	M16	265.5
2-1/2"	2.56	4.8	5.71	7.28	4.33	5.81	4.13	0.67	13.54	0.67	2.76	4.02	4	M16	398.3
3"	2.99	5.43	6.3	7.87	4.72	6.04	4.37	0.67	13.54	0.67	2.76	4.02	8	M16	486.8
4"	3.78	6.22	7.09	8.66	5.91	6.85	5.18	0.87	15.35	0.87	4.02	4.92	8	M16	619.5

OS&B® Industrial

13-495 Woodward Ave., Hamilton, Ontario, Canada L8H 6N6
 T. 1.905.661.0976 F. 1.905.667.1842

All rights reserved. OS&B® Industrial reserves the right to change product specifications and material or discontinue models without notice.