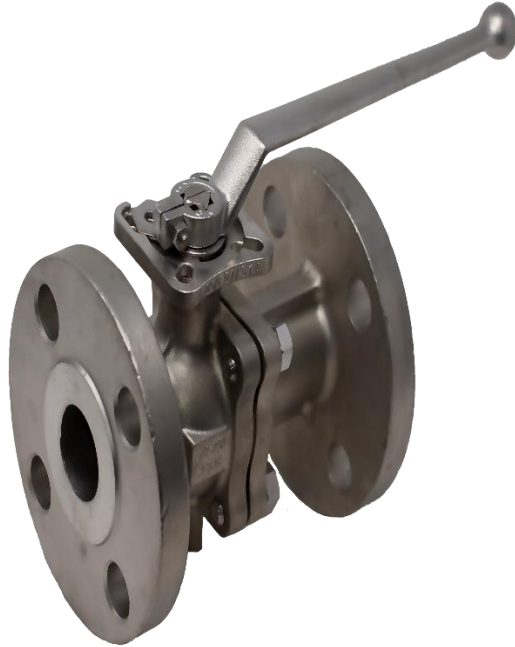


-ANSI 300# Flanged Stainless Steel Ball Valve
 -Full Port
 -1/2" – 12"
 -API607 Fire Safe Approved
 -TFM1600 SEATS
 -ISO-5211 Direct Mount

OSB7030



| ITEM | PARTS | MATERIAL | |
|------|---------------------|-----------------|---------------|
| | | | |
| 1 | BODY | ASTM A351-CF8M | ASTM A216-WCB |
| 2 | CAP | | |
| 3 | BALL | ASTM A351-CF8M | |
| 4 | NUT | AISI 304 | |
| 5 | BOLT | | |
| 6 | SEAL | GRAPHITE | |
| 7 | SEAT | PTFE / TFM 1600 | |
| 8 | THRUST WASHER A | CTFE | |
| 9 | THRUST WASHER B | | |
| 10 | THRUST WASHER C | PTFE | |
| 11 | PACKING A | GRAPHITE | |
| 12 | PACKING B | | |
| 13 | GLAND RING A | AISI 304 | |
| 14 | GLAND RING | | |
| 15 | STEM | ASTM A276-316 | |
| 16 | STOPPER | AISI 304 | |
| 17 | GLAND | ASTM A351-CF8M | |
| 18 | CIRCLIPS FOR SHAFTS | AISI 304 | |
| 19 | BOLT | | |
| 20 | SOCKET SET SCREWS | STAINLESS STEEL | |
| 21 | HANDLE | | |
| 22 | BELLEVILLE WASHER | AISI 301 | |
| 23 | LOCK WASHER | AISI 304 | |
| 24 | STEM NUT | | |
| 25 | HANDLE SLEEVE | PVC | |



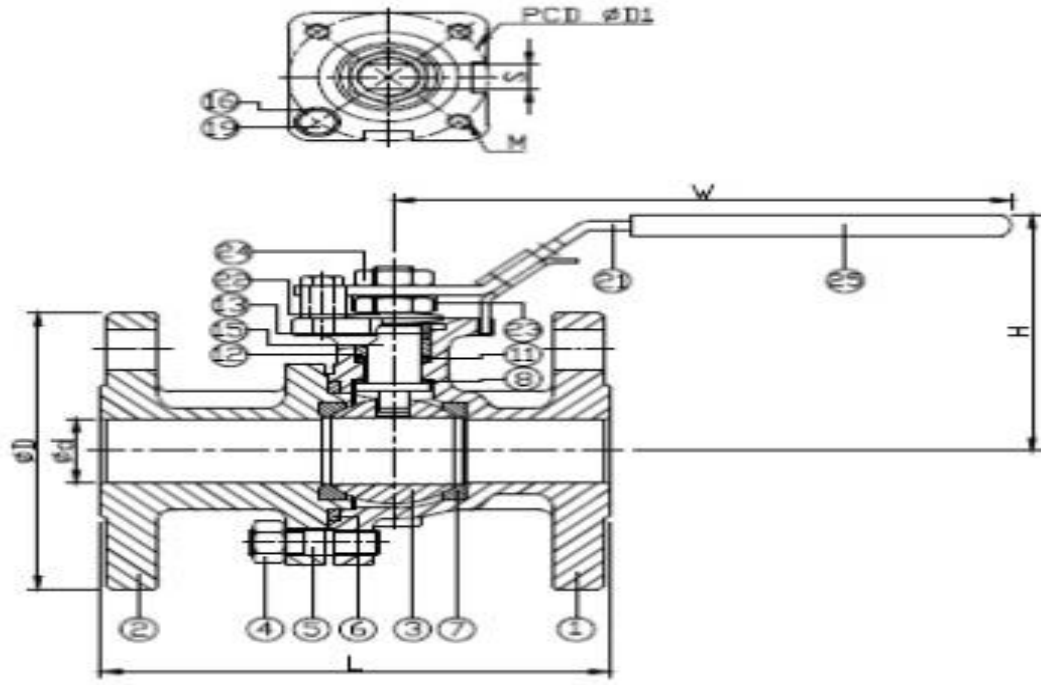
OC12345.2C

OS&B® Industrial

13-495 Woodward Ave., Hamilton, Ontario, Canada L8H 6N6
 T. 1.905.661.0976 F. 1.905.667.1842

All rights reserved. OS&B® Industrial reserves the right to change product specifications and material or discontinue models without notice.

www.osbindustrial.ca



| NPS | d | CLASS 150 | | | | CLASS 300 | | | | S | D1 | M | Torque (in-lb) |
|--------|------|-----------|------|------|-------|-----------|-------|------|-------|-------|------|---------|----------------|
| | | D | L | H | W | D | L | H | W | | | | |
| 1/2" | 0.59 | 3.5 | 4.25 | 2.93 | 6.5 | 3.74 | 5.51 | 2.93 | 6.5 | 0.25 | 1.65 | M5*0.8 | 30.1 |
| 3/4" | 0.79 | 3.88 | 4.61 | 3.05 | 6.5 | 4.61 | 5.98 | 3.05 | 6.5 | 0.25 | 1.65 | M5*0.8 | 47.8 |
| 1" | 0.98 | 4.25 | 5 | 3.57 | 7.83 | 4.88 | 6.5 | 3.57 | 7.83 | 0.31 | 1.97 | M6*1 | 61.1 |
| 1-1/4" | 1.26 | 4.55 | 5.52 | 3.68 | 7.83 | 5.24 | 7.01 | 3.68 | 7.83 | 0.31 | 1.97 | M6*1 | 130.1 |
| 1-1/2" | 1.5 | 5 | 6.5 | 4.25 | 9.76 | 6.14 | 7.48 | 4.25 | 9.76 | 0.37 | 2.76 | M8*1.25 | 283.2 |
| 2" | 1.97 | 6 | 7.01 | 4.88 | 10.31 | 6.5 | 8.5 | 4.88 | 10.31 | 0.37 | 2.76 | M8*1.25 | 283.2 |
| 2-1/2" | 2.56 | 7 | 7.48 | 6.1 | 12.91 | 7.48 | 9.49 | 6.61 | 15.75 | 0.67 | 4.02 | M10*1.5 | 354 |
| 3" | 3.01 | 7.5 | 7.99 | 6.3 | 12.91 | 8.27 | 11.1 | 6.81 | 15.75 | 0.67 | 4.02 | M10*1.5 | 424.8 |
| 4" | 4.02 | 9 | 9.02 | 7.15 | 12.91 | 10 | 12.01 | 7.68 | 15.75 | 0.667 | 4.02 | M10*1.5 | 513.3 |

unit:in

OS&B® Industrial

13-495 Woodward Ave., Hamilton, Ontario, Canada L8H 6N6

T. 1.905.661.0976 F. 1.905.667.1842

All rights reserved. OS&B® Industrial reserves the right to change product specifications and material or discontinue models without notice.

www.osbindustrial.ca