

OSB6015



-ANSI 150# Flanged Carbon Steel Ball Valve
 -Full Port
 -1/2"-12"
 -API607 Fire Safe Approved
 -TFM1600 SEATS
 -ISO-5211 Direct Mount

ITEM	PARTS	MATERIAL	
1	BODY	ASTM A351-CF8M	ASTM A216-WCB
2	CAP		
3	BALL	ASTM A351-CF8M	
4	NUT	AISI 304	
5	BOLT	AISI 304	
6	SEAL	GRAPHITE	
7	SEAT	PTFE / TFM 1600	
8	THRUST WASHER A	CTFE	
9	THRUST WASHER B	CTFE	
10	THRUST WASHER C	PTFE	
11	PACKING A	GRAPHITE	
12	PACKING B	GRAPHITE	
13	GLAND RING A	AISI 304	
14	GLAND RING	AISI 304	
15	STEM	ASTM A276-316	
16	STOPPER	AISI 304	
17	GLAND	ASTM A351-CF8M	
18	CIRCLIPS FOR SHAFTS	AISI 304	
19	BOLT	AISI 304	
20	SOCKET SET SCREWS	AISI 304	
21	HANDLE	STAINLESS STEEL	
22	BELLEVILLE WASHER	AISI 301	
23	LOCK WASHER	AISI 304	
24	STEM NUT	AISI 304	
25	HANDLE SLEEVE	PVC	



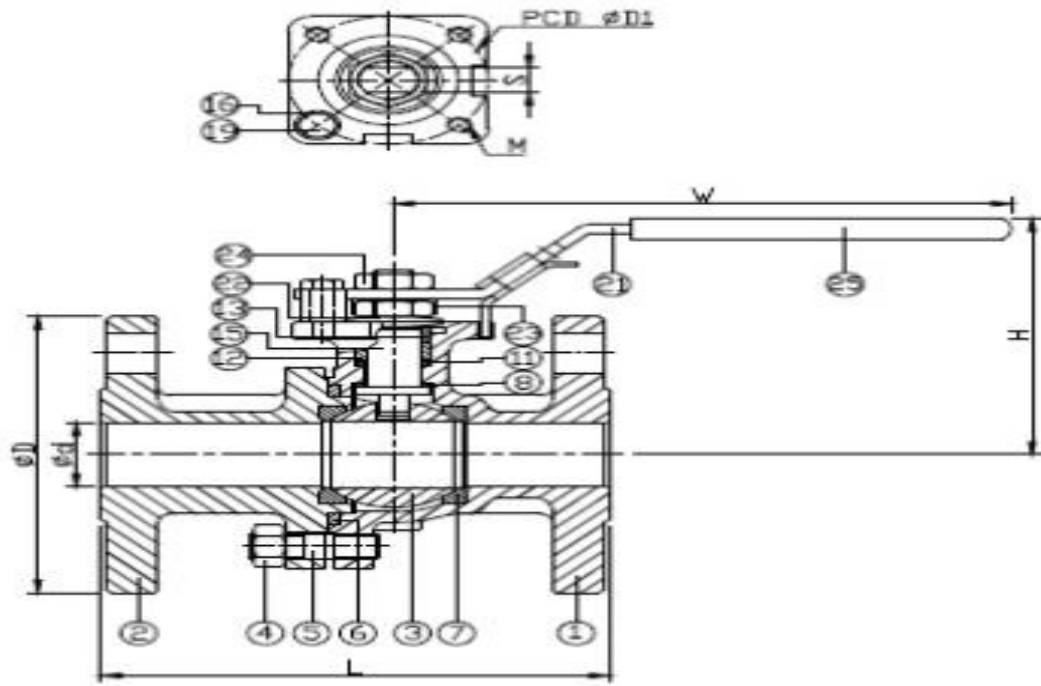
OC12345.2C

OS&B® Industrial

13-495 Woodward Ave., Hamilton, Ontario, Canada L8H 6N6
 T. 1.905.661.0976 F. 1.905.667.1842

All rights reserved. OS&B® Industrial reserves the right to change product specifications and material or discontinue models without notice.

www.osbindustrial.ca



NPS	d	CLASS 150				CLASS 300				S	D1	M	Torque (in-lb)
		D	L	H	W	D	L	H	W				
1/2"	0.59	3.5	4.25	2.93	6.5	3.74	5.51	2.93	6.5	0.25	1.65	M5*0.8	30.1
3/4"	0.79	3.88	4.61	3.05	6.5	4.61	5.98	3.05	6.5	0.25	1.65	M5*0.8	47.8
1"	0.98	4.25	5	3.57	7.83	4.88	6.5	3.57	7.83	0.31	1.97	M6*1	61.1
1-1/4"	1.26	4.55	5.52	3.68	7.83	5.24	7.01	3.68	7.83	0.31	1.97	M6*1	130.1
1-1/2"	1.5	5	6.5	4.25	9.76	6.14	7.48	4.25	9.76	0.37	2.76	M8*1.25	283.2
2"	1.97	6	7.01	4.88	10.31	6.5	8.5	4.88	10.31	0.37	2.76	M8*1.25	283.2
2-1/2"	2.56	7	7.48	6.1	12.91	7.48	9.49	6.61	15.75	0.67	4.02	M10*1.5	354
3"	3.01	7.5	7.99	6.3	12.91	8.27	11.1	6.81	15.75	0.67	4.02	M10*1.5	424.8
4"	4.02	9	9.02	7.15	12.91	10	12.01	7.68	15.75	0.667	4.02	M10*1.5	513.3

unit:in

OS&B® Industrial

13-495 Woodward Ave., Hamilton, Ontario, Canada L8H 6N6

T. 1.905.661.0976 F. 1.905.667.1842

All rights reserved. OS&B® Industrial reserves the right to change product specifications and material or discontinue models without notice.

www.osbindustrial.ca