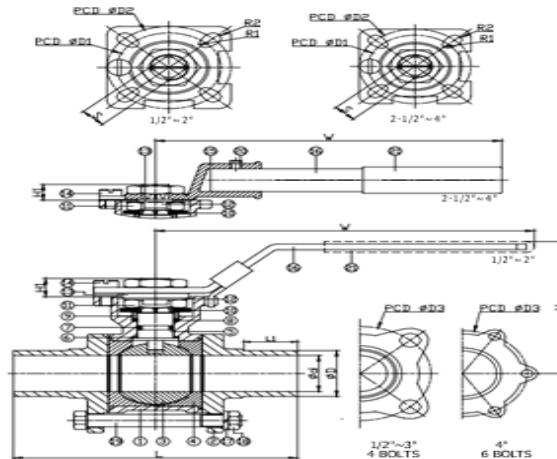


- 3pce Bolted Body Stainless Steel Full Port Ball Valve
- 1/2"-4" 1000WOG
- Temperature -4°F - +392°F
- Investment casting
- Blow-out proof stem
- Live-loading design
- Cavity filled seats
- Extended Tube End Connections
- ISO-5211 Direct Mount

OSB5813



ITEM	PARTS	MATERIAL	
1	BODY	ASTM A351-CF8M	ASTM A351-CF3M
2	CAP		
3	BALL	ASTM A351-CF8M / ASTM A351-CF3M	
4	SEAT	PTFE / TFM 1600	
5	STEM	ASTM A276-316	
6	THRUST WASHER	PTFE	
7	O-RING	VITON	
8	PACKING	PTFE	
9	GLAND RING	AISI 304	
10	BELLEVILLE WASHER	AISI 301	
11	NUT	AISI 304	
12	LOCK WASHER		
13	FLAT WASHER		
14	STOP PIN		
15	WRENCH BLOCK	STAINLESS STEEL	
16	HANDLE		
17	SPRING WASHER	AISI 304	
18	NUT		
19	BOLT		
20	BOLT		
21	HANDLE SLEEVE	PVC	



OC07956.2C

NPS	d	D	L	L1	H	H1	W	S	D1	D2	D3	R1	R2	Torque (in-lb)	Weight (lb)
1/2"	0.38	0.5	3.57	0.79	2.61	0.35	4.84	0.35	1.42	1.65	1.79	0.11	0.11	44.3	1.4
3/4"	0.62	0.75	4.06	0.89	2.66	0.43	4.84	0.35	1.42	1.65	1.85	0.11	0.11	66.4	1.5
1"	0.87	1	4.53	0.98	3.16	0.43	5.96	0.43	1.65	1.97	2.26	0.11	0.14	97.4	2.6
1-1/2"	1.37	1.5	5.47	0.98	3.88	0.55	7.17	0.55	1.97	2.76	3.27	0.14	0.18	141.6	5.5
2"	1.88	2	6.22	0.98	4.21	0.55	7.17	0.55	1.97	2.76	3.94	0.14	0.18	177	7.9
2-1/2"	2.37	2.5	7.76	0.98	5.13	0.67	13.54	0.67	2.76	4.02	4.96	0.18	0.22	354	15.4
3"	2.87	3	8.98	0.98	5.48	0.67	13.54	0.67	2.76	4.02	5.83	0.18	0.22	442.5	21.8
4"	3.84	4	9.52	0.98	6.65	0.87	15.31	0.87	4.02	4.92	7.2	0.22	0.26	531	37.7

OS&B® Industrial

13-495 Woodward Ave., Hamilton, Ontario, Canada L8H 6N6

T. 1.905.661.0976 F. 1.905.667.1842

All rights reserved. OS&B® Industrial reserves the right to change product specifications and material or discontinue models without notice.

www.osbindustrial.ca