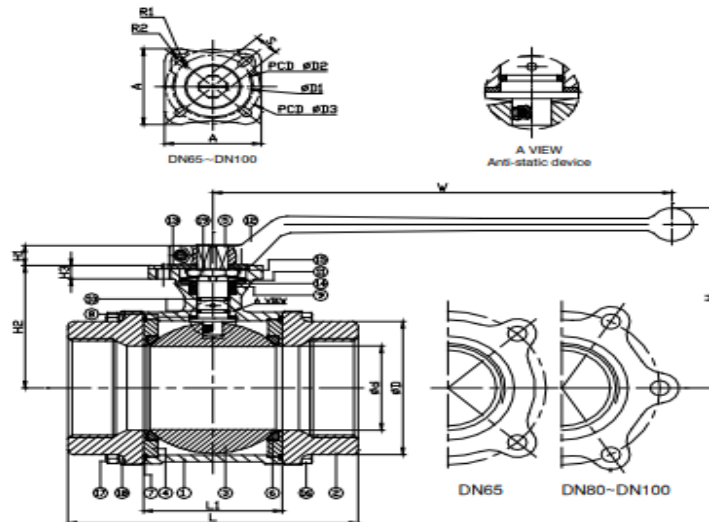


-3 pce Stainless Steel Full Port Direct Mount Ball Valve  
 -1000 WOG  
 -4°F to 392°F  
 -Investment Casting  
 -ISO-5211 Direct Mount

# OSB5413



ITEM	PARTS	MATERIAL	
1	BODY	ASTM A351-CF8M	ASTM A216-WCB
2	CAP		
3	BALL	ASTM A351-CF8M	
4	RETAINER		
5	STEM	ASTM A276-316	
6	SEAT	RTFE	
7	SEAL	PTFE	
8	THRUST WASHER		
9	PACKING	VITON	
10	O-RING		
11	BELLEVILLE WASHER	AISI 301	
12	HANDLE	AISI 304	
13	LOCKING PAD		
14	GLAND RING		
15	LOCKING WASHER		
16	BOLT		
17	NUT		
18	SPRING WASHER		
19	STEM NUT		



NPS	d	D	L	L1	H	H1	H2	H3	W	S	A	D1	D2	D3	R1	R2	ISO 5211	Torque (in-lb)
2-1/2"	2.56	3.62	7.28	3.46	6.22	0.67	4.13	0.39	12.8	0.67	3.94	2.76	2.76	4.02	0.18	0.22	F07/F10	789.3
3"	2.99	4.09	8.07	3.86	6.5	0.67	4.39	0.39	12.8	0.67	3.94	2.76	2.76	4.02	0.18	0.22	F07/F10	858.5
4"	3.94	5.51	9.45	4.72	7.44	0.87	5.35	0.47	12.8	0.87	4.92	3.94	4.02	4.92	0.22	0.26	F10/F12	1026.7



OC07956.2C

**OS&B® Industrial**

13-495 Woodward Ave., Hamilton, Ontario, Canada L8H 6N6  
 T. 1.905.661.0976 F. 1.905.667.1842

All rights reserved. OS&B® Industrial reserves the right to change product specifications and material or discontinue models without notice.