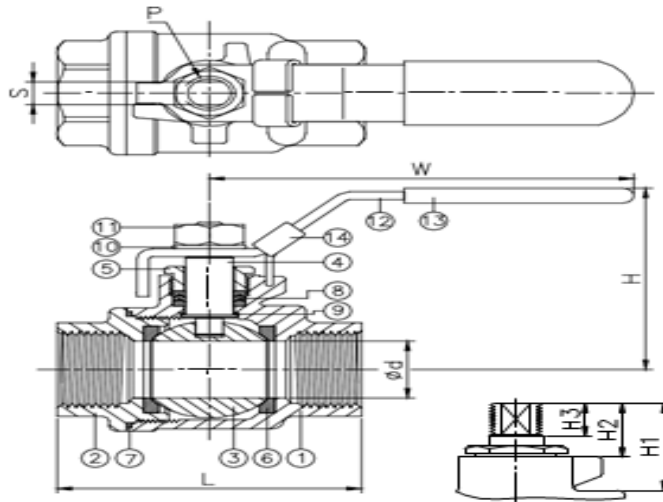


OSB5022

- Stainless Steel Full Port Ball Valve
- 1/4"-4" NPT
- 2000 WOG 1/4"-1, 1500 WOG 1-1/4"-2", 1000 WOG 2-1/2"-4
- Seal Welded
- Working Temperature -4°F – 392°F
- Investment Casting
- Blow-out proof stem
- Locking Lever
- Tapped and Drilled Mounting Pad
- CSA 3.16 approved (1/4"-2")



ITEM	PARTS	MATERIAL	
1	BODY	ASTM A351-CF8M	ASTM A216-WCB
2	CAP		
3	BALL	ASTM A351-CF8M	
4	STEM	ASTM A276-316	
5	GLAND NUT	AISI 304	
6	SEAT	PTFE / RTFE / TFM 1600	
7	SEAL	PTFE / TFM 1600	
8	PACKING	PTFE / RTFE / TFM 1600	
9	THRUST WASHER	PTFE	
10	SPRING WASHER	AISI 304	
11	NUT		
12	HANDLE	STAINLESS STEEL	
13	HANDLE SLEEVE	PVC	
14	LOCKING DEVICE	STAINLESS STEEL	



OC12345.2C

NPS	d	L	H	H1	H2	H3	W	S	P	Torque (in-lb)	Weight (lb)
1/4"	0.46	2.38	2.13	0.98	0.67	0.43	4.06	0.2	5/16"W	36	0.6
3/8"	0.51	2.38	2.13	0.98	0.67	0.43	4.06	0.2	5/16"W	36	0.6
1/2"	0.59	2.52	2.23	1.02	0.7	0.43	4.06	0.2	5/16"W	39	0.7
3/4"	0.79	3.03	2.51	1.25	0.89	0.53	4.96	0.26	3/8"W	52	1.2
1"	0.98	3.54	3.02	1.47	1.03	0.62	6.46	0.31	7/16"W	65.1	1.9
1-1/4"	1.26	3.94	3.26	1.48	0.98	0.62	6.46	0.31	7/16"W	78.1	2.8
1-1/2"	1.5	4.65	3.76	1.66	1.07	0.67	7.48	0.35	1/2"W	116.8	4.4
2"	1.97	5.43	4.15	1.7	1.11	0.67	7.48	0.35	1/2"W	143.4	6.9
2-1/2"	2.56	6.56	5.59	2.33	1.68	1.08	9.72	0.47	3/4"W	390.3	13.2
3"	3.15	7.6	6.02	2.32	1.59	1.08	9.72	0.47	3/4"W	412.4	22.3
4"	3.94	10.24	7.18	3.13	2.15	1.57	12.6	0.63	1"W	-	-

OS&B® Industrial

13-495 Woodward Ave., Hamilton, Ontario, Canada L8H 6N6
 T. 1.905.661.0976 F. 1.905.667.1842

All rights reserved. OS&B® Industrial reserves the right to change product specifications and material or discontinue models without notice.