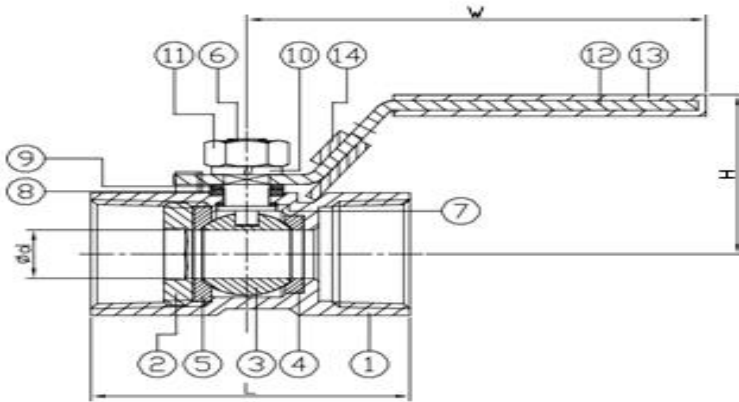


OSB5011

- One Piece 316 Stainless Steel Body
- Reduced Port 1/4"-3"
- 1000 WOG
- Working Temperature: -4°F – 392°F
- Investment Casting
- Blowout Proof Stem
- Locking Lever handle



ITEM	PARTS	MATERIAL	
1	BODY		
2	RETAINER	ASTM A351-CF8M	ASTM A351-CF8
3	BALL		
4	SEAT A	PTFE / RTFE	
5	SEAT B		
6	STEM	AISI 316	
7	THRUST WASHER	PTFE	
8	PACKING		
9	GLAND RING	AISI 304	
10	SPRING WASHER		
11	STEM NUT		
12	HANDLE	STAINLESS STEEL	
13	HANDLE SLEEVE	PVC	
14	LOCKING DEVICE	STAINLESS STEEL	



OC12345.2C

NPS	d	L	H	W	Torque (in-lb)	Weight (lb)
1/4"	0.2	1.54	1.3	2.8	34.5	0.2
3/8"	0.28	1.73	1.38	3.66	34.5	0.2
1/2"	0.36	2.17	1.57	3.74	46	0.4
3/4"	0.49	2.32	1.73	3.74	46	0.7
1"	0.59	2.72	2.01	4.45	69	0.9
1-1/4"	0.79	3.03	2.24	4.45	115.1	1.5
1-1/2"	0.98	3.19	2.52	5.55	149.6	2
2"	1.26	3.82	2.68	5.55	218.6	3.1
2-1/2"	1.5	5.04	3.35	7.44	287.6	-
3"	1.97	6.02	3.54	7.44	460.2	-

OS&B® Industrial

13-495 Woodward Ave., Hamilton, Ontario, Canada L8H 6N6
 T. 1.905.661.0976 F. 1.905.667.1842

All rights reserved. OS&B® Industrial reserves the right to change product specifications and material or discontinue models without notice.

www.osbindustrial.ca