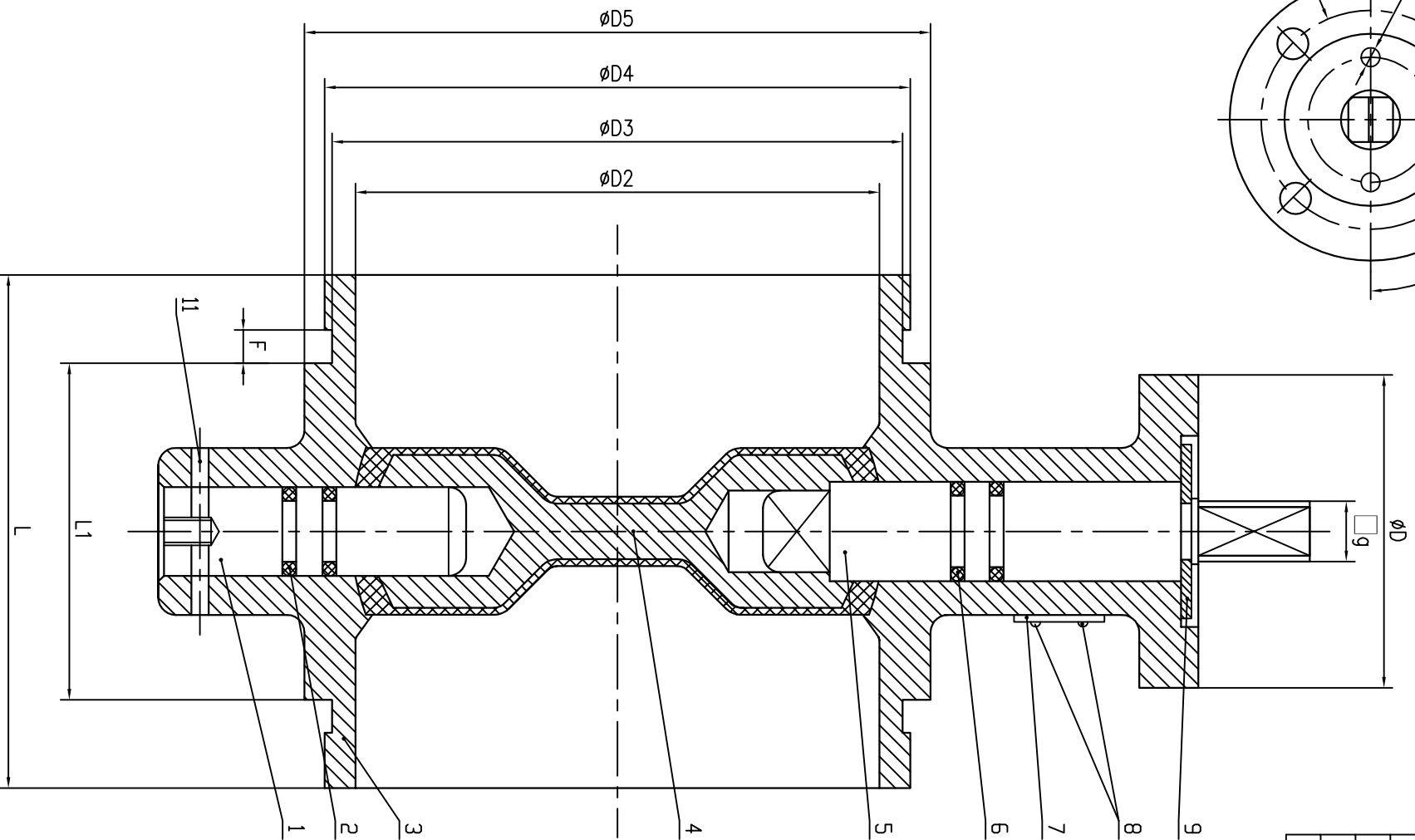
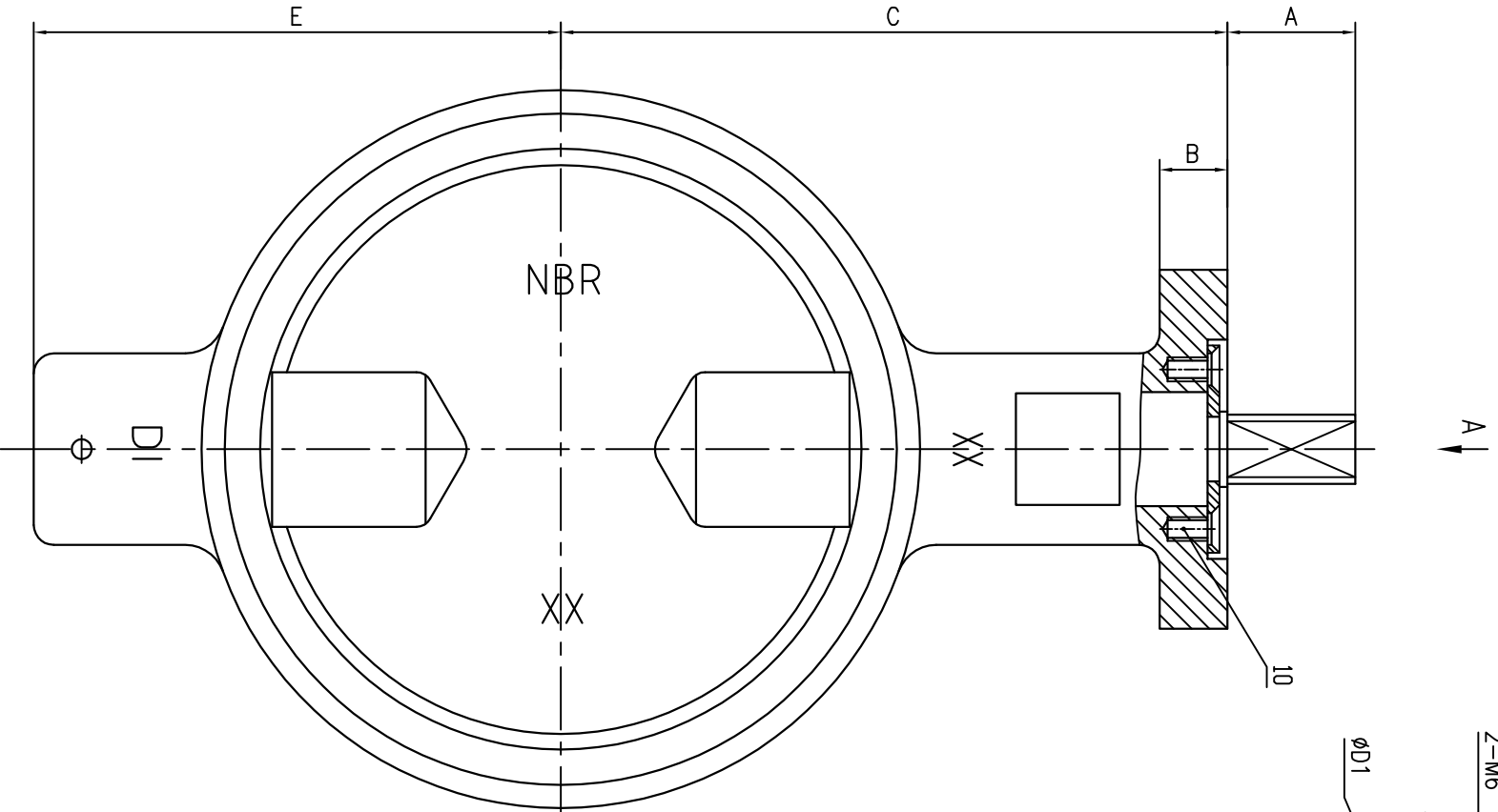
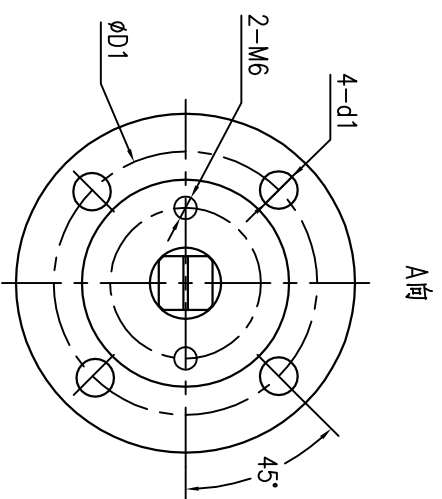


B00GK-500DB



SIZE	A	B	C	E	F	D	D1	D2	D3	D4	D5	L1	L	Ød1	g
2"	32	14	103.5	62	8	90	70	52	57	60.3	70.7	34.8	82.4	10	9
2.5"	32	15	107	64	8	90	70	62	69	73	81	49	96.82	10	9
3"	32	15	116	73	8	90	70	77	85	88.9	96	49	96.82	10	9
4"	32	15	143	97	10	90	70	98.4	110.1	114.3	121	65	115.8	10	11
5"	32	15	149	119	10	90	70	127	137	141.3	159	96.8	147.6	10	14
6"	32	17	167	132	10	90	70	150.6	164	168.4	180	96.8	147.6	10	14
8"	40	17	202	162	11	125	102	202	214.4	219	231	73	133.4	12	17
10"	40	17	261	189	12.7	125	102	253	268.3	273	283	95.2	158.8	12	22
12"	40	17	269	230	12.7	125	102	303	318.3	323.9	340	101.5	165.1	12	24

ITEM	Standard
Design standard	MSS-SP-67
Test standard	MSS-SP-67
Grooved standard	AWWA C606

11	Spring pin	1	65Mn				
10	Bolt	2	ASTM A570 Gr33				
9	Washer	1	ASTM A570 Gr33				
8	Rivet	2					
7	Name plate	1					
6	O-ring	2	NBR				
5	Up shaft	1	ASTM A276 420				
4	Disc	1	ASTM A536 65-45-12-FDPM				
3	Body	1	ASTM A536 65-45-12				
2	O-ring	2	NBR				
1	Down shaft	1	ASTM A276 420				
No.	Coda No.	Name	QTY	Material	GW	NW	Remake

Item ref	Quantity	Title/Name, designation, material, dimension etc	Article No./Reference
Designed by	ZY	Checked by	Approved by - date
		File name	Date
		2019/6/14	Scale



 Grooved Butterfly valve(2" - 12")

Series #33 BP005-KG00B

Edition A

Sheet