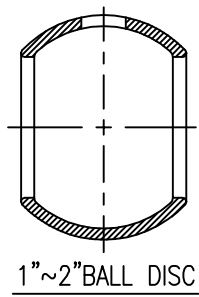
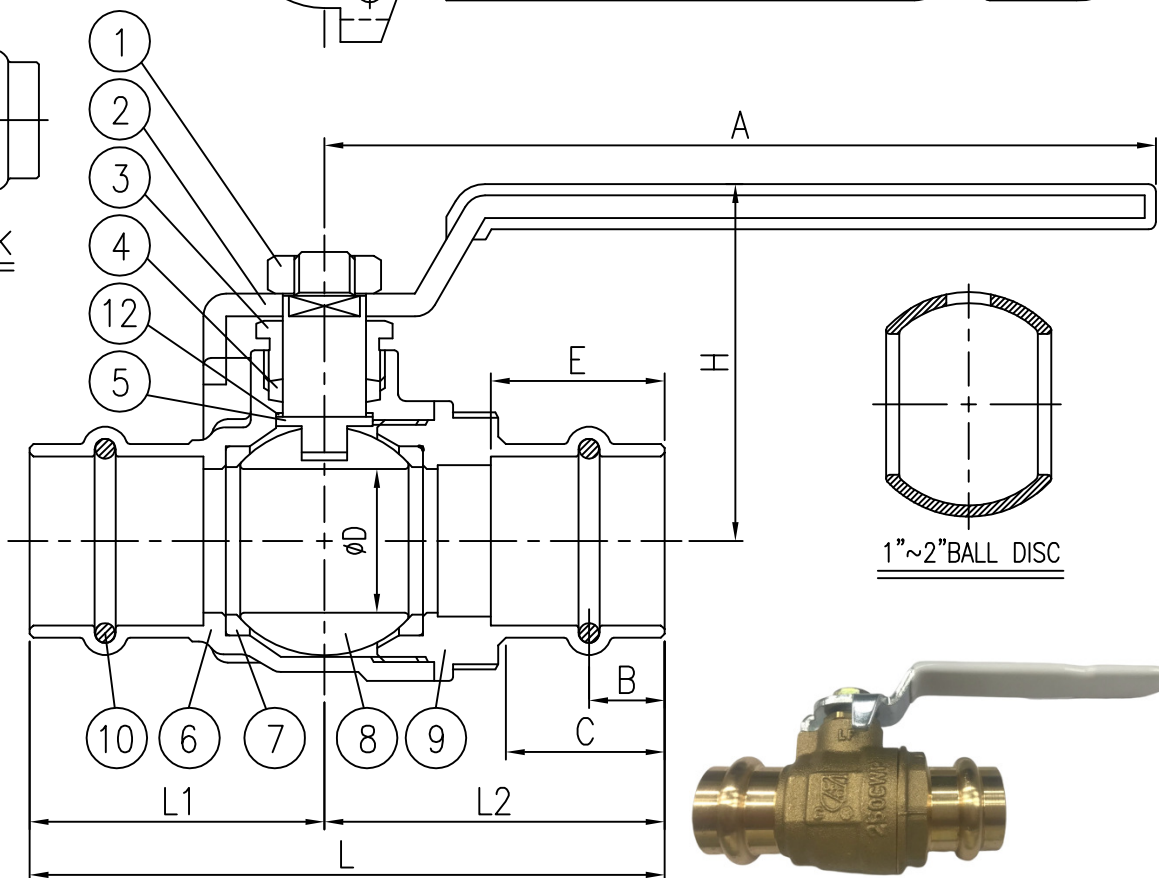
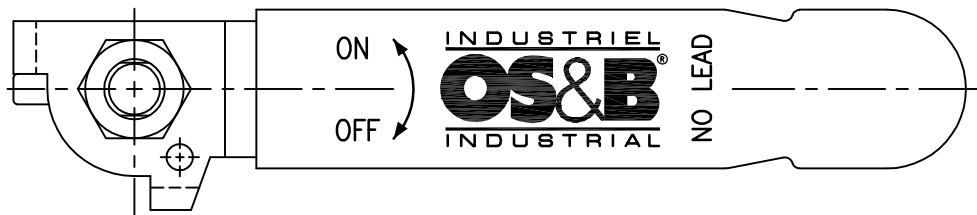


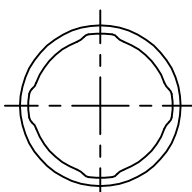
BODY MARK



1"~2" BALL DISC



OS&B:OSB23  
FIG:NL1362FPF



Drip FIT O-RING

12	THRUST WASHER	1	TEFLON PTFE	2"										
10	O-RING	2	EPDM											
9	END PLUG	1	C46400											
8	BALL DISC	1	C46400											
7	BALL DISC PACKING	2	TEFLON PTFE											
6	BODY	1	C46400											
5	STEM	1	ASTM B16-C36000 JIS H3250-C3604B											
4	STEM PACKING	1	TEFLON PTFE											
3	STEM GLAND SCREW	1	ASTM B16-C36000 JIS H3250-C3604B											
2	HANDLE	1	ASTM A283-D JIS SS400											
1	NUT	1	AISI-1010 JIS S10C											
SIZE	L	H	D	A	B	C	E	L1	L2	NO	PART	PCS	MATERIAL	REMARKS

2	151	79	50	200	15	30	40	74	77	6	BODY	1	C46400	
11/2	126	65	38	130	12.5	26	36	62	64	5	STEM	1	ASTM B16-C36000 JIS H3250-C3604B	
11/4	101	60	32	130	10	21	26	49	52	4	STEM PACKING	1	TEFLON PTFE	
1	92	52	25	110	10	21	24	43	49	3	STEM GLAND SCREW	1	ASTM B16-C36000 JIS H3250-C3604B	
3/4	84	47	19	110	10	21	23	39	45	2	HANDLE	1	ASTM A283-D JIS SS400	
1/2	69	38	12.7	80	8	17	18	32	37	1	NUT	1	AISI-1010 JIS S10C	

△														OS&B
△										NO.	PART NAME	QTY	MATERIAL	SPEC.
△										SCALE	UNIT	CAD	DRAWING DESC.	NO LEAD BRASS 250CWP PRESS FIT BALL VALVE
NO	REVISIONS				DATE	NAME				inch				
DRAWN	Wang L W	CHK'D			APPV'D								DRAWING NO	B2-00-NL-OSB
FU SAN MACHINERY														1