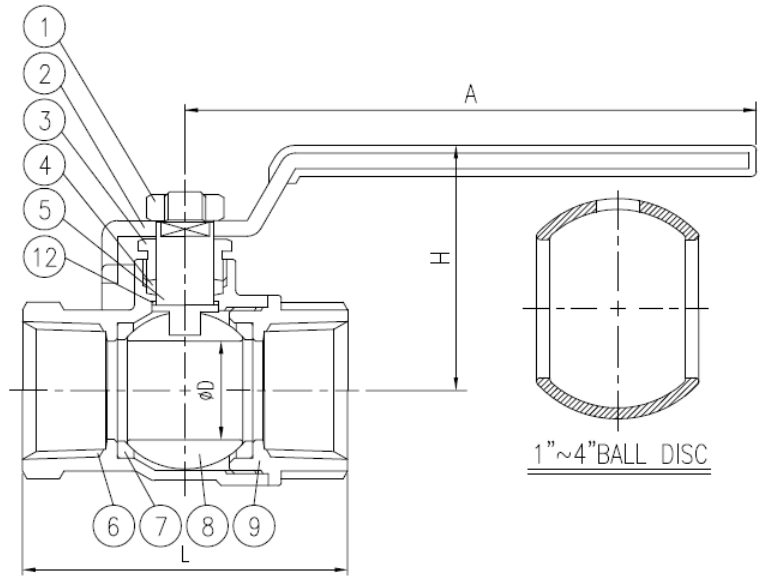


- Full Port Lead Free Brass Ball Valve
- 1/2"-4"
- NPT and CxC Connections
- 600 WOG-150 WSP Brass ball valve
- Temperature to 360°F
- Adjustable packing
- P.T.F.E seats, seals and washer
- Blow-out proof stem
- CSA 3.16, UL/FM Certified (OSB20LF Only)
- NSF approved for potable drinking water
- Optional locking lever, Extension Stems

OSB20LF/21LF



NUMBER	PART	PCS	MATERIAL	2"-4"
1	NUT	1	AISI-1010 JIS S10C	
2	HANDLE	1	ASTM A283-D JIS SS400	
3	STEM GLAND SCREW	1	ASTM B16-C36000 JIS H3250-C3604B	
4	STEM PACKING	1	P.T.F.E TEFLON	
5	STEM	1	ASTM B16-C36000 JIS H3250-C3604B	
6	BODY	1	ASTM B124-C37700 JIS H3250-C3771B	2"-4" ASTM B581-C85700 JIS H5120-CAC203
7	BALL DISC PACKING	2	P.T.F.E TEFLON	
8	BALL DISC	1	ASTM B16-C36000 JIS H3250-C3604B	OR ASTM B124-C37700 JIS H3250-C3771B
9	END PLUG	1	ASTM B124-C37700 JIS H3250-C3771B	
10	THRUST WASHER	1	P.T.F.E TEFLON	

Size	L	H	D	A
1/4"	1.692	1.417	.0364	3.15
3/8"	1.811	1.456	0.393	3.15
1/2"	2.125	1.496	.5000	3.15
3/4"	2.480	1.850	0.748	4.33
1"	2.992	2.047	0.984	4.33
1-1/4"	3.346	2.362	1.259	5.118
1-1/2"	3.622	2.559	1.496	5.118
2"	4.251	3.110	1.968	7.874
2-1/2"	5.157	3.503	2.480	7.874
3"	5.905	3.858	2.952	7.874
4"	6.260	3.858	2.952	7.874

OS&B® Industrial
 13-495 Woodward Ave., Hamilton, Ontario, Canada L8H 6N6
 T. 1.905.661.0976 F. 1.905.667.1842

All rights reserved. OS&B® Industrial reserves the right to change product specifications and material or discontinue models without notice.