

OSB13L

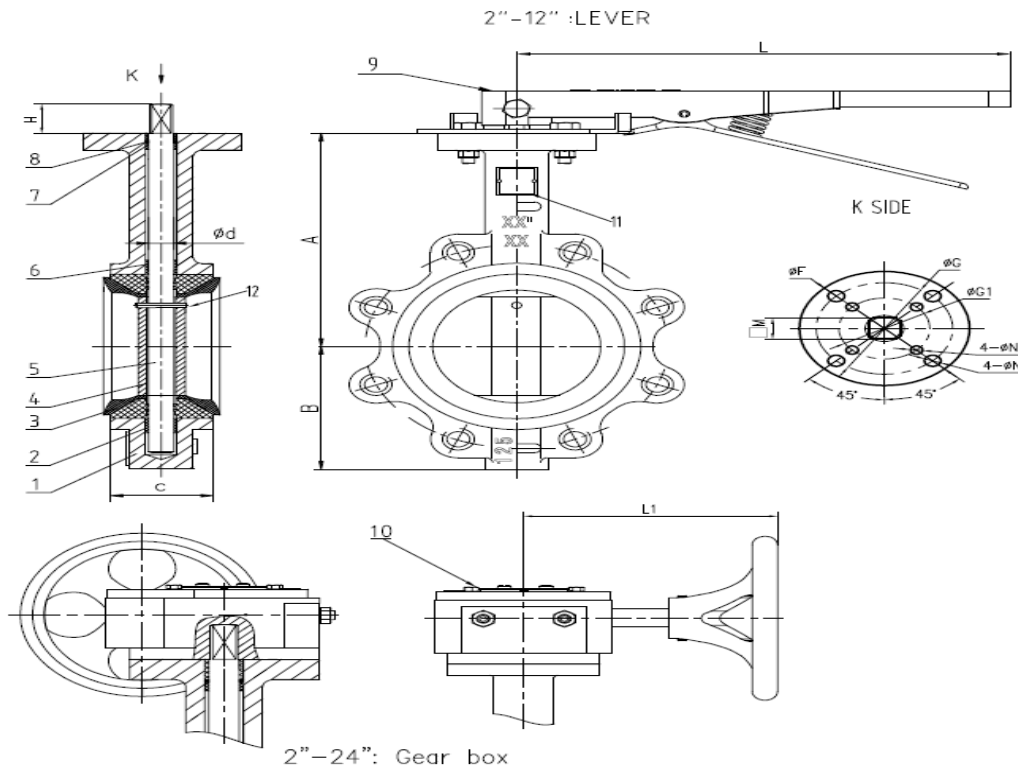
- Ductile Iron Butterfly Valve
- 2"-24" Class 125 ASME B16.1
- 232PSI (2"-12"), 150PSI (14"-24")
- Lug body, stainless steel disc and stem, EPDM seat
- 10 position lever handle up to 8"
- Gear Operator 10" and above
- Epoxy coated
- Optional NBR, VITON and PTFE seats
- ISO-5211 Direct Mount



#	NAME	MATERIAL
1	BODY	ASTM A536 65-45-12
2	LOWER BUSHING	PTFE
3	SEAT RING	EPDM NBR VITON PTFE
4	DISC	ASTM 351 CF8M/B148 C954
5	STEM	SS304
6	BUSHING 1	PTFE
7	BUSHING 2	PTFE
8	O RING	NBR
9	LEVER	CAST IRON
10	GEAR BOX	CAST IRON
11	NAME PLATE	SS304
12	PIN	ASTM A276 TYPE SS316



OC21934



OS&B® Industrial

13-495 Woodward Ave., Hamilton, Ontario, Canada L8H 6N6

T. 1.905.661.0976 F. 1.905.667.1842

All rights reserved. OS&B® Industrial reserves the right to change product specifications and material or discontinue models without notice.

www.osbindustrial.ca

SIZE	A	B	C	H	øF	øG	4-Øn1	ØG1	4-øN1	ød	M	L	L1
2"	6.34	3.15	1.69	1.26	3.62	2.76	0.39	1.97	0.28	0.50	11 MM	10.28	6.02
2-1/2"	6.89	3.50	1.81	1.26	3.62	2.76	0.39	1.97	0.28	0.50	11 MM	10.28	6.02
3"	7.13	3.74	1.81	1.26	3.62	2.76	0.39	1.97	0.28	0.50	11 MM	10.28	6.02
4"	7.87	4.49	2.05	1.26	3.62	2.76	0.39	1.97	0.28	0.62	14 MM	10.28	6.02
5"	8.39	5.00	2.20	1.26	4.92	4.02	0.47	2.76	0.39	0.74	14 MM	14.33	9.25
6"	8.90	5.51	2.20	1.26	5.91	4.92	0.55	4.02	0.47	0.74	17 MM	14.33	9.25
8"	10.24	6.89	2.36	3.31	5.91	4.92	0.55	4.02	0.47	0.87	22 MM	14.33	9.25
10"	11.50	8.66	2.68	3.31	6.89	5.51	0.71	4.92	0.55	1.12	22 MM	21.26	9.25
12'	13.27	10.04	3.07	3.35	6.89	5.51	0.71	4.92	0.55	1.24	22 MM	21.26	9.09
14"	14.49	10.55	3.07	3.35	6.89	5.51	0.71	4.92	0.55	1.24	24 MM		10.91
16"	15.75	12.52	4.02	4.92	6.89	5.51	0.71	4.92	0.55	1.31	27 MM		9.57
18"	16.61	14.37	4.49	4.92	6.89	5.51	0.71	4.92	0.55	1.49	27 MM		9.57
20"	18.86	14.09	5.00	4.92	6.89	5.51	0.71	4.92	0.55	1.62	32 MM		9.57
24"	22.13	19.29	6.06	5.39	8.27	6.50	0.87	5.51	0.71	1.99	32 MM		11.65

OS&B® Industrial

13-495 Woodward Ave., Hamilton, Ontario. Canada L8H 6N6

T. 1.905.661.0976 F. 1.905.667.1842

All rights reserved. OS&B® Industrial reserves the right to change product specifications and material or discontinue models without notice.

www.osbindustrial.ca