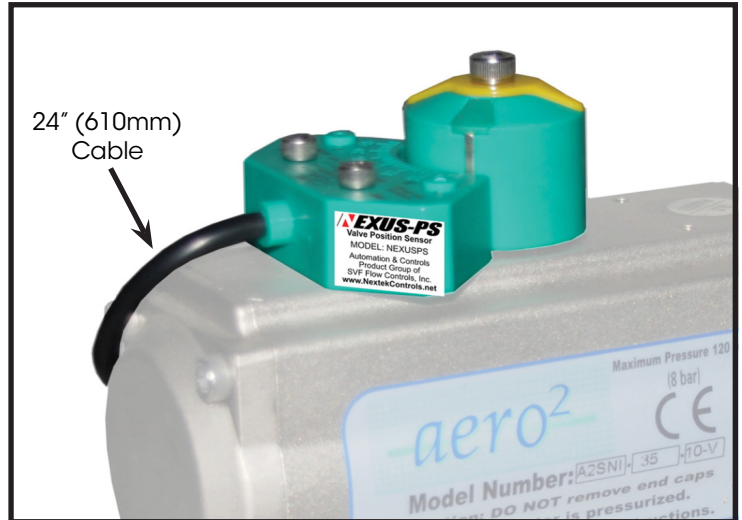




The NEXUS-PS is a low profile sensor that delivers valve position status in demanding environments (IP-67). The technology utilizes two reed devices that sense a magnetic target in the Open and Closed positions. The sensor element is SPST N.O. and the rotating component contains the magnetic target as well as a high visibility position indicator.

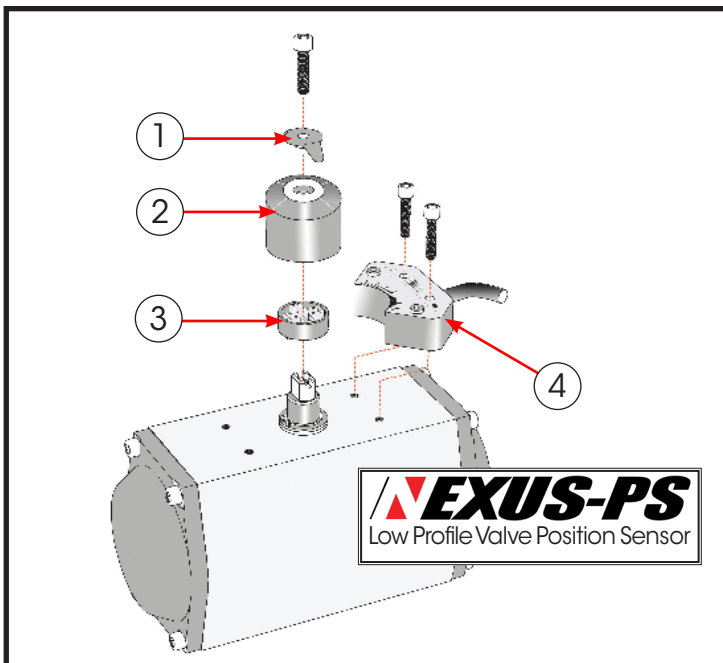
NEXUS-PS™ DESIGN FEATURES

- ▼ Compact, Low-Profile Design
- ▼ Corrosion Resistant (non-metallic + stainless construction)
- ▼ Weather-proof to IP-67
- ▼ Hermetically sealed reed elements
- ▼ Handles both AC and DC current
- ▼ SPST N.O. contacts
- ▼ Simple mounting to NAMUR standards



MATERIALS OF CONSTRUCTION

ITEM #	DESCRIPTION
1	POSITION INDICATOR
2	MAGNETIC TARGET
3	MOUNTING ADAPTOR
4	NEXUS-PS DUAL SENSOR



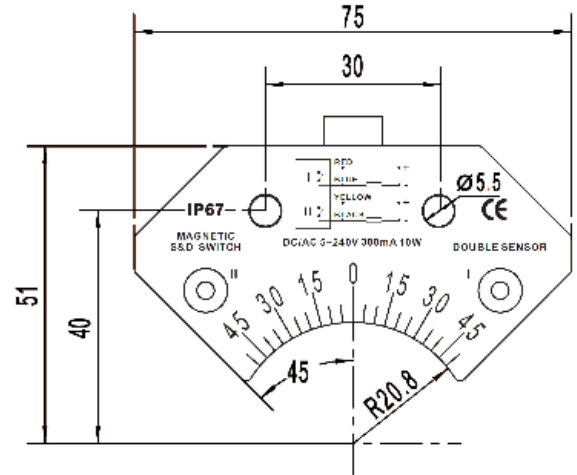
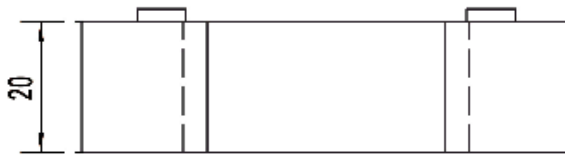
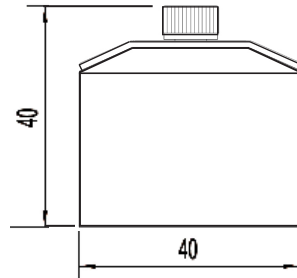
SPECIFICATIONS

Temperature Range	-40°C ~ 85°C -40°F ~ 185°F
Sensor Type	Magnet
Rated Operating Distance	1~6 mm
Switching Element Function	N.O. (Optional N.C.)
Output Type	2-Wire
Switching Frequency	0~4.8 KHz
Position Indicator	0~90°
Travel Variance	+/- 5°
Working Voltage	5~240V AC/DC
Working Current	0~300mA
Rated Power	10W
Ingress Protection	IP67
Cable Length	24" (610mm)

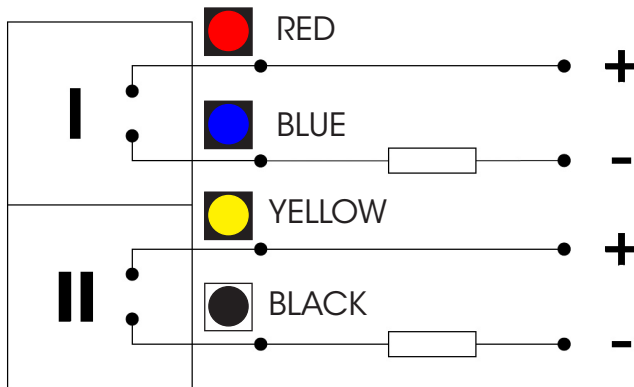
NEXUS-PS™ DIMENSIONS

Dimensions shown in mm

20mm = 0.78"
20.8mm = 0.82"
30mm = 1.18"
40mm = 1.57"
51mm = 2.00"
75mm = 2.95"



WIRING DIAGRAM



ABOUT REED SWITCHES

A Reed Switch consists of two ferromagnetic blades (generally composed of iron and nickel) hermetically sealed in a glass tube. The blades overlap internally in the glass capsule with a gap between them, and make contact with each other when in the presence of a magnetic field.



1. "Normally Open" Reed Switch



2. Switch closes when magnet is near