

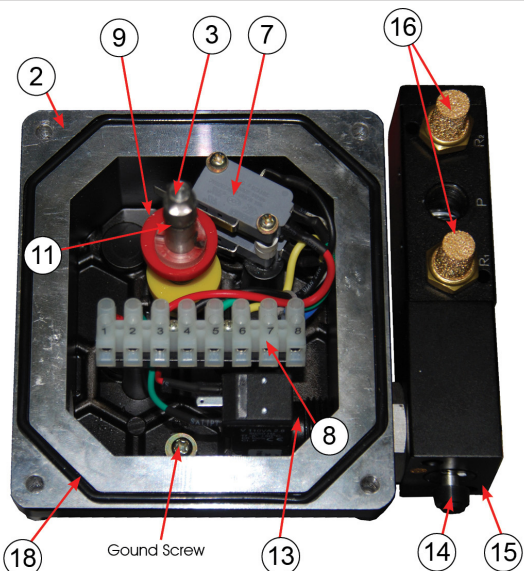
Automation & Controls Product Group of SVF Flow Controls

NEXUS-LPX™ is a discrete valve controller providing an optimized solution for on/off valve control & position sensing in hazardous area locations for the process industries. Equipped with a low watt miniature pilot valve and position switches or sensors, the NEXUS-LPX™ helps plants, platforms, and pipelines improve productivity and increase safety in the harshest environments and toughest applications.

NEXUS-LPX™ DESIGN FEATURES

- ▼ Integrated Solution (switches, sensors, pilot and spool valve in a single platform)
- ▼ Approved for Enclosure: DNV 09 **ATEX** 53807X, NEMA 7
- ▼ Area Classification: Ex d IIB T6, IP66, Class I, Div. 1 Groups C & D, Class II, Div 1 Groups E, F, D & Div. 2 Groups F & G
- ▼ Suitable for use on rotary applications for double acting or spring return actuators
- ▼ NAMUR and ISO 5211 adjustable mounting bracket
- ▼ 5/2 Aluminum spool valve, anodized and polyester coated
- ▼ 1 x 3/4" NPT conduit entry
- ▼ Single pilot actuated, with manual operator (Cv=1.4)
- ▼ Optional C3 Coil for Intrinsic Safe Applications

SVF Flow Controls was named one of the Flow Control Innovation Awards winners for the key innovations represented by our NEXUS-LP/LPX Integrated Solenoid Valve & Limit Switch System. Based on votes from readers of Flow Control Magazine, the NEXUS-LP/LPX was honored this year for novel features and contributions to the process of fluid movement, measurement and/or containment.



WORKING PRESSURE: 40 psi ~ 120 psi (2.8 bar ~ 8 bar)
 WORKING MEDIUM: Filtered and dried air
 TEMPERATURE RATING: -4°F ~ +185°F (-20°C ~ +85°C)

MATERIALS OF CONSTRUCTION

ITEM #	DESCRIPTION	MATERIALS SPECIFICATIONS (Additional options available)
1	BOX COVER	DIE CAST ALUMINUM*
2	BOX HOUSING	DIE CAST ALUMINUM*
3	SHAFT	STAINLESS STEEL
4	INDICATOR COVER	POLYCARBONATE
5	INDICATOR	ABS
6	INDICATOR FASTENERS	STAINLESS STEEL
7	SWITCHES	MECHANICAL SWITCHES
8	TERMINAL STRIP	POLYCARBONATE
9	CAMS	POLYCARBONATE
10	COVER FASTENERS	STAINLESS STEEL
11	SHAFT O-RING	BUNA "N"
12	INDICATOR O-RING	BUNA "N"
13	PILOT BASE	DIE CAST ALUMINUM
14	MANUAL OPERATOR	DIE CAST ALUMINUM
15	SPOOL VALVE	DIE CAST ALUMINUM
16	BREATHERS	COPPER ALLOY
17	MOUNTING BRACKET (NAMUR)	CARBON STEEL*
18	HOUSING O-RING	BUNA "N"

*With Polyester Coating

EXUS-LPX™ DIMENSIONS, WEIGHT

Item	Dimension	
	in.	mm
A	5.67	144
B	1.06	27
C	0.79	20
D	0.79	20
E	0.16	4
F	0.79	20
G	3.15	80
H	5.12	130
J	5.02	128
K	5.69	145
L	4.41	112
M	0.43	11
N	4.53	115
P	1.50	38
R	1.18	30
S	1.06	27
T	1.57	40

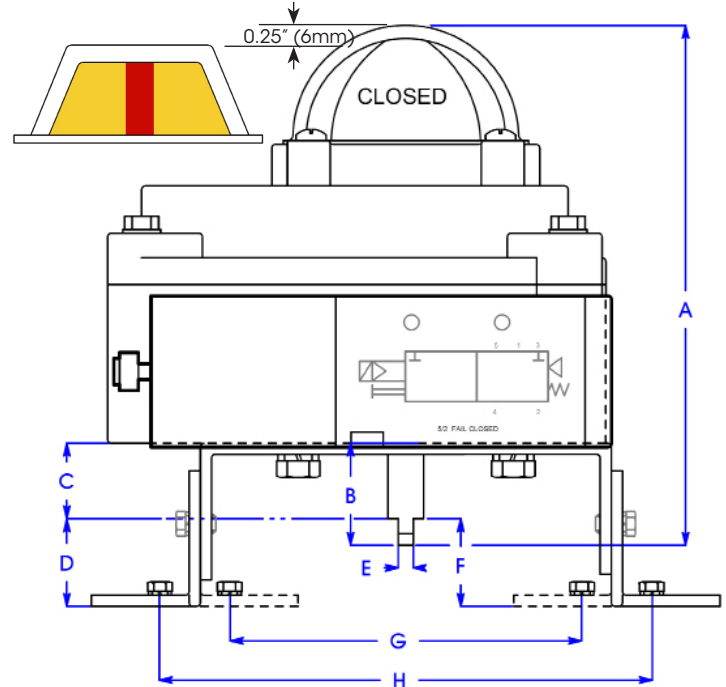
Weight:
2.5lbs. (1.13 kg)

EXUS-LPX
Discrete VALVE CONTROLLER

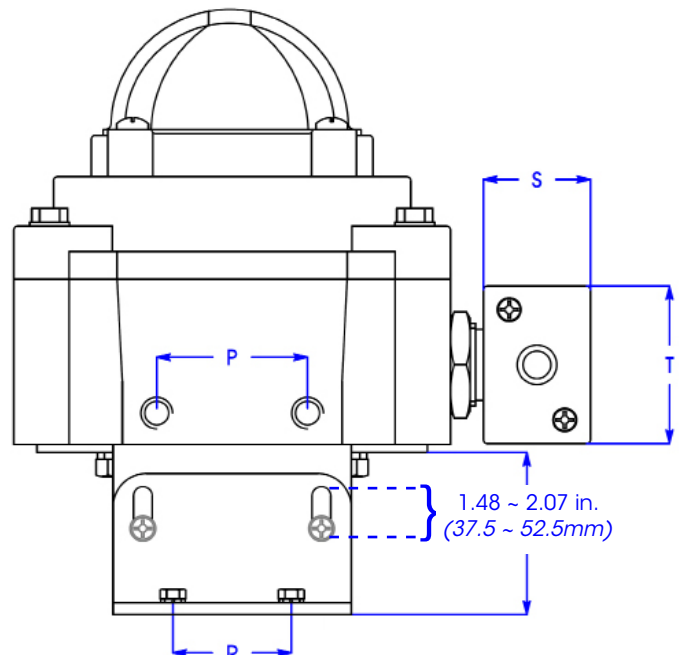
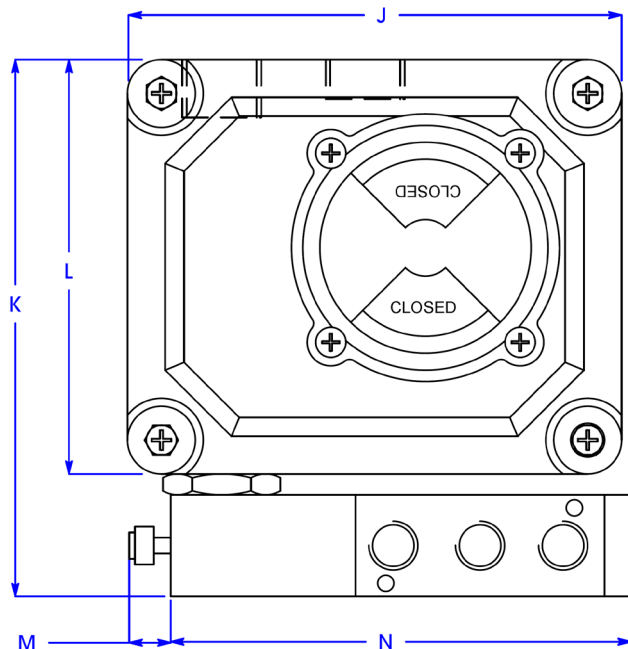


NEXUS-LPX™
Discrete Valve Controller
shown with *aero2*
actuator &
SVF B41C ANSI Class
150# Flanged Ball Valve.
(Shown with optional
stainless steel tubing)

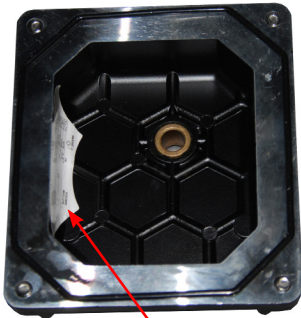
Optional High Visibility "L"
and "T" Port Indicator Covers



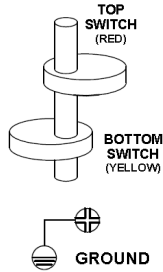
The overall height of the NEXUS-LPX including the mounting bracket is:
6.17" when installing on *aero2* models A2DS-10 ~ A2DS-500 (*Quad4* Models Q15 ~ Q45)
6.57" when installing on *aero2* models A2DS-550 ~ A2DS-700 (*Quad4* Models Q60 & Q75)



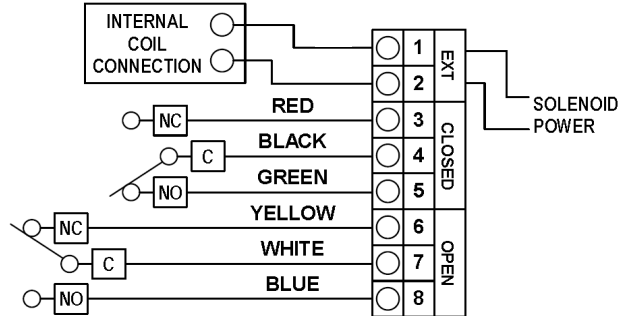
NEXUS-LPX™ WIRING DIAGRAM







Wiring Diagram located inside top cover.



Mechanical Switches M2B= (Standard) 2 SPDT, 15A 125-250VAC
Part # NEXUSLPX(*)M2B(**) - Wiring Diagram # WDNX2PM2D



NEXUS-LPX™ HOW TO ORDER GUIDE

SERIES	PILOT COIL VOLTAGE	SWITCHES/SENSORS	POSITION INDICATOR
NEXUSLPX= TWO POSITION DISCRETE VALVE CONTROLLER	4 = 110 VAC (< 2.8VA) (Standard) 2 = C2 Coil 24VDC (< 1 W) 5 = 220VAC (< 2.8VA)	Mechanical Switches M2B= (Standard) 2 SPDT 15A 125-250VAC, 3A/24VDC M50= 2 DPDT 15A 125-250VAC, 3A/24VDC <u>Optional Switches:</u> Proximity Sensors Q30 = Magnetic Reed Switch 2 SPDT 5-240VAC/VDC, 300mA P20 = Inductive, NO 2 wire 10-30VDC, 150mA PP0 = (P & F) Inductive, NC 2 wire 8VDC, 1mA P30 = Inductive NPN-NO 3 wire 10-30 VDC, 150mA P3A = Inductive NPN-NC 3 wire 10-30 VDC, 150mA P3B = Inductive PNP-NO 3 wire 10-30 VDC, 150mA	Leave Blank for Standard 90 degree Position Indicator Yellow Open, Red Closed  L = High Visibility Three Way "L" Yellow Base, Red Flow Bar  T = High Visibility Three Way "T" Yellow Base, Red Flow Bar  Consult SVF for other options available
ATEX	For Intrinsically Safe* 3 = C3 Coil 24VDC (<1W)		
			
Order Example: (NEXUSLPX4M2B)			
NEXUS-LPX two-position discrete valve controller for Hazardous Locations, 110VAC (Standard), M2B Mechanical Switches (Standard), 90 Degree Open/Closed Position Indicator.			
NEXUSLPX	4	M2B	(BLANK)

WIRING DIAGRAMS FOR OPTIONAL SWITCHES & SENSORS

