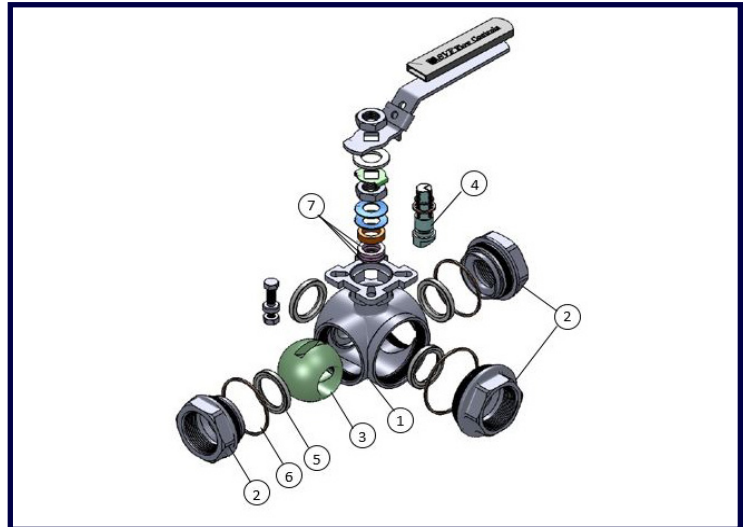


The SVF Series MZ9B Multi-Ported ball valves are designed with positive shut-off on any of the three ports for superior performance in general purpose, plant-wide applications. The direct mount feature reduces the size and weight of traditional automated valves.

SERIES MZ9B DESIGN FEATURES

- ✓ Designed & built for economical performance
- ✓ Pressure rated for 1000 WOG
- ✓ Locking handle is standard
- ✓ L-Port and T-Port options
- ✓ Threaded End Connection (FNPT)
- ✓ Positive shut-off on any of the three ports
- ✓ Full Port flow path for maximum flow
- ✓ Built-In ISO 5211 direct mounting pad for easy automation
- ✓ Anti-static stem device standard
- ✓ Blowout proof stem adds safety and reliability
- ✓ Complete 316 Stainless Steel construction



MATERIALS OF CONSTRUCTION

ITEM #	DESCRIPTION	MATERIALS SPECIFICATIONS
1	Body	316 Stainless Steel (ASTM A351 CF8M)
2	End Connection	316 Stainless Steel (ASTM A351 CF8M)
3	Ball	316 Stainless Steel (ASTM A351 CF8M)
4	Stem	316 Stainless Steel (ASTM A276 316)
5	Seat	PTFE
6	Body Seal	PTFE
7	Stem Seal	PTFE

SERIES BEV9 FOR AUTOMATION

The MZ9B valves feature direct mounting for pneumatic or electric automation. This feature reduces the cost and additional size and weight of valves requiring a mounting kit.



Contact SVF for specific applications

What do you need today?™

HIGH PURITY VALVES
CleanFLOW

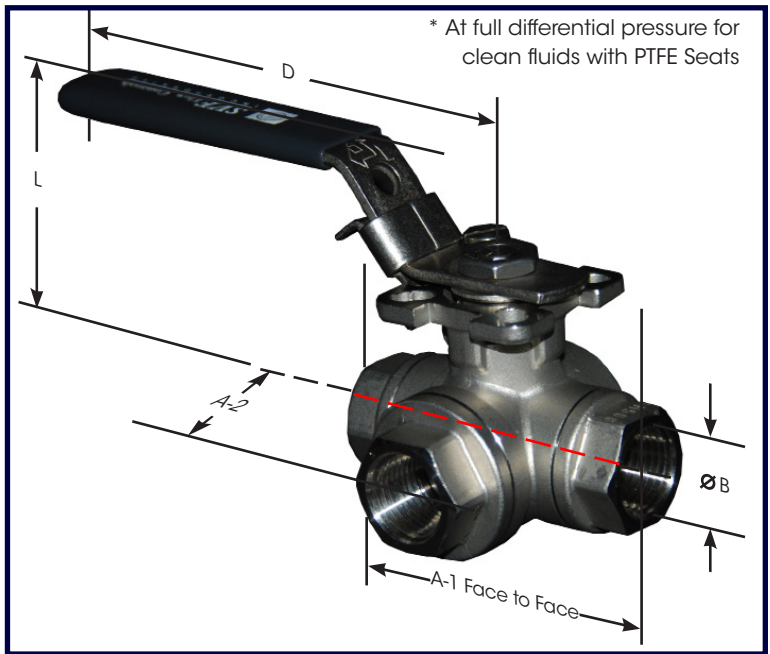
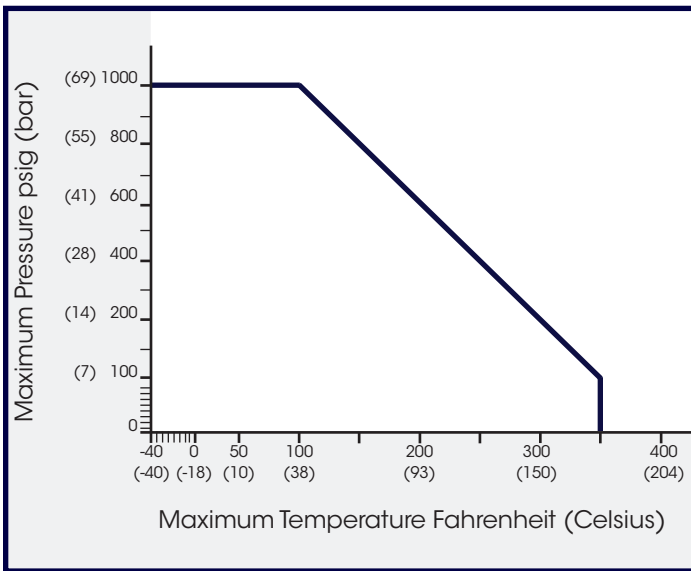
PRO-SPEC
PROCESS SPECIFIC

QUALITY FLOWS
THROUGH US

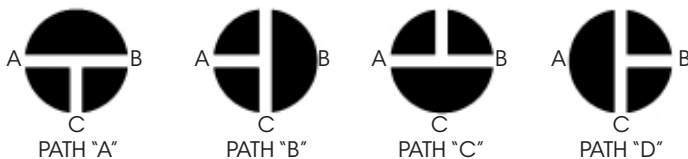
DIMENSIONS, WEIGHT, CV, TORQUE

Size	A-1		A-2		B		D		L		Weight		Cv	Torque*	
	in.	mm	in.	mm	in.	mm	in.	mm	in.	mm	lbs	kg		in-lbf	Nm
1/2"	3.39	86	1.73	44	0.63	16	4.84	123	2.91	74	3	1.36	14	118	13
3/4"	3.9	99	1.89	48	0.79	20	6.02	153	3.43	87	4	1.81	18	180	20
1"	4.61	117	2.24	57	0.98	25	6.02	153	3.66	93	5	2.27	43	217	25
1-1/2"	5.83	148	2.91	74	1.50	38	7.20	183	4.69	119	13	5.90	90	384	44
2"	6.69	170	3.35	85	1.97	50	9.69	246	5.00	127	20	9.07	160	526	59

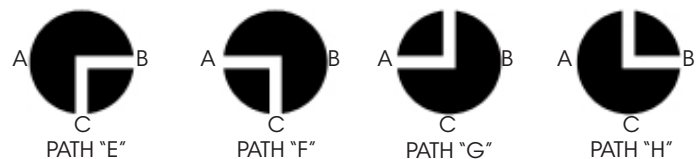
MZ9B - PRESSURE/TEMPERATURE CHART



T-PORT FLOW PATHS:



L-PORT FLOW PATHS:



Please refer to the next page for our comprehensive How to Order Guide for Series MZ9B Ball Valves.

Ordering Code Sequence (Columns 1 thru 11)

1	2	3	4	5	6
SERIES	BODY	ENDS	BALL	STEM	SEAT MATERIAL
MZ9B	6 = 316 Stainless Steel ASTM A351 CF8M	6 = 316 Stainless Steel ASTM A351 CF8M	6 = 316 Stainless Steel ASTM A351 CF8M	6 = 316 Stainless Steel ASTM A276-316	T= PTFE

7	8	9	10	11
BODY SEAL	END CONNECTIONS	VALVE SIZE	OPTIONS*	SPECIAL SERVICES*
T = PTFE	SE0 = Screwed Ends (FNPT)	005 = 1/2" 007 = 3/4" 010 = 1" 015 = 1-1/2" 020 = 2"	00 = None T1 = T-PORT BALL (SIDE PORT) L1 = L-PORT BALL (SIDE PORT)	00 = None

Order Example: (MZ9B6666TTSE0010T100) The Part Number will contain 20 digits.

Ordering Code Sequence >>	1	2	3	4	5	6	7	8	9	10	11
Sample Part Number >>	MZ9B	6	6	6	6	T	T	SE0	010	T1	00
	Valve Series	Body Material	End Material	Ball	Stem	Seal Material	Seal Material	End Connections	Valve Size	Options*	Special Services*

NOTE:

Manual Valves are supplied with lockable lever handles.

* Not all Options or Special Services available on all ball valves. Consult SVF for additional information.