

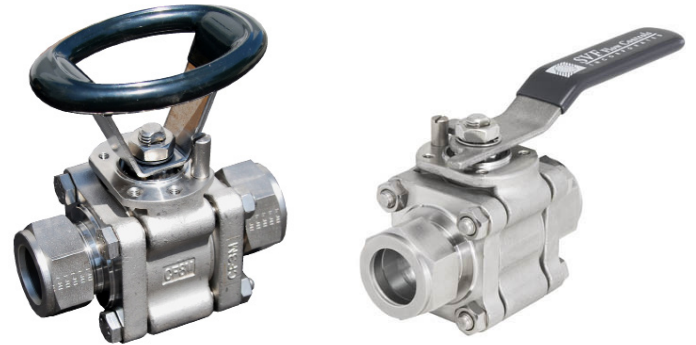
The SVF Series L8 Ball Valves are compression-ended valves designed to be compatible with all of the leading instrument fittings. This high performance valve has a vast selection of seats & seals and integral ISO mounting pad.

SERIES L8 DESIGN FEATURES

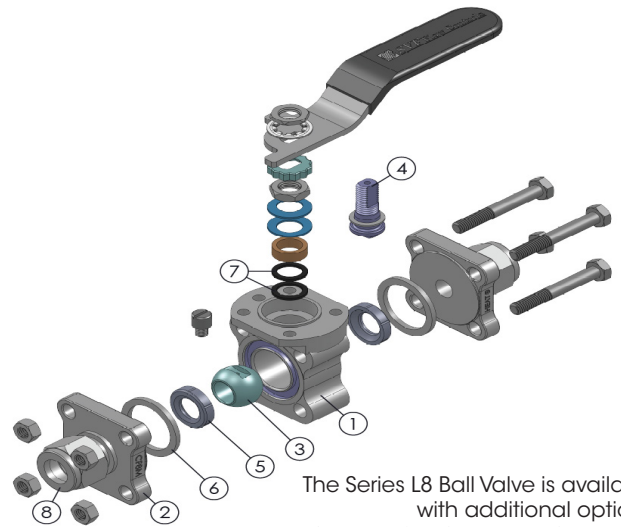
- ✓ Compression ends are compatible with all leading instrument fittings
- ✓ High performance design for process-quality applications
- ✓ Live-loaded stem packing ensures seal-tight pressure containment even under thermal cycling
- ✓ Three-piece "swing out" design offers easy access for in-line maintenance
- ✓ ISO 5211 mounting pad for easy actuation
- ✓ Standard seat material is TFM1600™
- ✓ Blowout proof stem adds safety & reliability
- ✓ Full range of options to suit specific requirements

MATERIALS OF CONSTRUCTION

ITEM	DESCRIPTION	MATERIALS SPECIFICATIONS (Additional options available)
1	Body	316 Stainless Steel (ASTM A351 CF8M)
2	End Connector	316L Stainless Steel (ASTM A351 CF3M)
3	Ball	316 Stainless Steel (ASTM A351 CF8M)
4	Stem	316 Stainless Steel (ASTM A276), Stainless Steel 17-4 pH (ASTM A564 630)
5	Seat	TFM1600™, Delrin®, SupraLon™, PEEK
6	Body Seal	PTFE, Buna "N", SupraLon™, GRAFOIL®, Viton®, EPDM
7	Stem Seal	SupraLon™
8	Compression Fittings	316 Stainless Steel with silver plated threads



The L8 is available with your choice of an Oval Handle or Lever Handle. If requesting an Oval Handle, specify "OH" in the part number (Refer to the How to Order Guide on Page. 3).



The Series L8 Ball Valve is available with additional options. Contact SVF for more information.

SPECIFICATION STANDARDS OF COMPLIANCE

SVF Series L8 Ball Valves are available in designs that meet the following Industry Standards:

- ANSI
- DIN
- BPE
- ASME
- ISO
- NACE
- API
- MSS
- ASTM

Contact SVF for specific applications

What do you need today?™

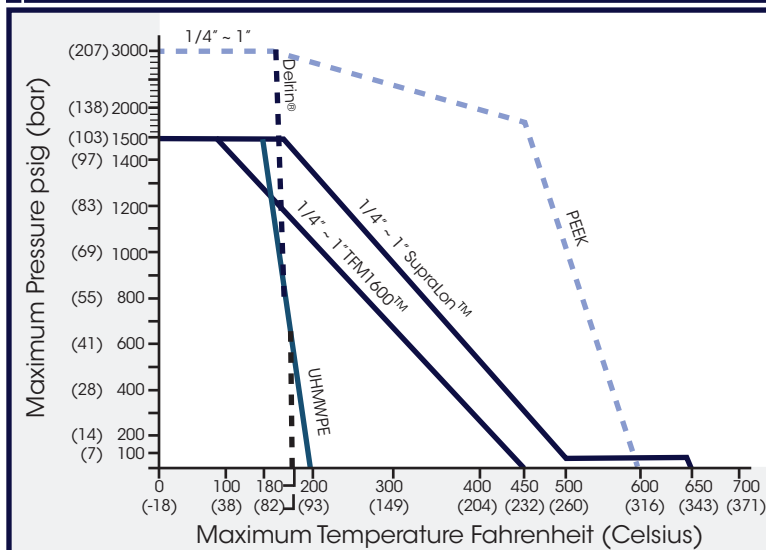
HIGH PURITY VALVES
CleanFLOW

PRO-SPEC
PROCESS SPECIFIC
WWW.PRO-SPEC.NET

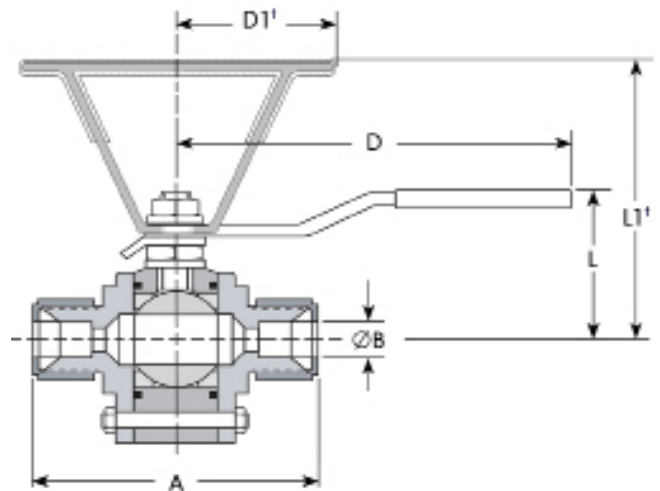
QUALITY FLOWS THROUGH US

DIMENSIONS, WEIGHT, TORQUE

Size	A		B		D		D1†		L		L1†		Weight		Torque*	
	in.	mm	in.	mm	in.	mm	in.	mm	in.	mm	in.	mm	lbs	kg	in-lbf	Nm
1/4"	3.03	77	0.26	7	5	127	2	48	1.8	46	3.2	82	2	0.9	45	5
3/8"	3.11	79	0.38	10	5	127	2	48	1.8	46	3.2	82	2	0.9	45	5
1/2"	3.35	85	0.51	13	5	127	2	48	1.8	46	3.2	82	2	0.9	45	5
3/4"	3.74	95	0.76	19	5	127	2	48	1.9	48	3.3	84	2	0.9	45	5
1"	4.53	115	1.01	26	6	152	2	48	2.4	61	3.7	94	4	1.8	100	11

L8 - PRESSURE/TEMPERATURE CHART


* At full differential pressure for clean fluids with TFM1600™ Seats



†D1 and L1 are dimensions with the Oval Handle in lieu of Lever Handle.

HOW TO ORDER SERIES L8 INSTRUMENT BALL VALVES

Please refer to the next page for our comprehensive
 How to Order Guide for Series L8 Ball Valves.

Ordering Code Sequence (Columns 1 thru 11)

1	2	3	4	5	6
SERIES	BODY	ENDS	BALL	STEM	SEAT MATERIAL
L800	6 = 316 Stainless Steel ASTM A351 CF8M	6 = 316L Stainless Steel ASTM A351 CF3M	6 = 316 Stainless Steel ASTM A351 CF8M	6 = 316 Stainless Steel ASTM A276 316 M = 17-4pH Stainless Steel ASTM A564 630	A = TFM1600™ D = Delrin** S = Supralon K = PEEK (Size 1/4"-1") Requires 17-4 stem
7	8	9	10	11	
BODY SEAL	END CONNECTIONS	VALVE SIZE	OPTIONS*	SPECIAL SERVICES*	
T = PTFE B = Buna "N" S = Supralon G = GRAFOIL V = Viton E = EPDM	BL0 = Compression Ends	002 = 1/4" 003 = 3/8" 005 = 1/2" 007 = 3/4" 010 = 1"	00 = None LK = Locking Device AA = Oval Handle & Locking Device AC = Locking Device & Anti-Static Device AG = ISO Cast Stem Extension & Locking Device JA = Oval Handle, ISO Cast Stem Extension & Locking Device JB = Oval Handle, ISO Cast Stem Extension & Anti-Static Device JE = Locking Device, ISO Cast Stem Extension & Anti-Static Device	00 = None XC = Oxygen Cleaned UH = Vent/Relief Hole ² AS = Ammonia Service HC = High Cycle Stem Kit VV = Vacuum & Searching Gas Stem Kit AE = Oxygen Cleaned & Vent Hole ²	

Order Example: (L8006666ATBL00050000) The Part Number will contain 20 digits.

Ordering Code Sequence >>

Sample Part Number >>

1	2	3	4	5	6	7	8	9	10	11
L800	6	6	6	6	A	T	BL0	005	00	00
Valve Series	Body Material	End Material	Ball	Stem	Seat Material	Seat Material	End Connections	Valve Size	Options*	Special Services*

²Vent Hole is on the Upstream Side

* Not all Options or Special Services available on all ball valves. Consult SVF for additional information.

** Delrin Seats **cannot** be used for Oxygen Service