

* FULL PORT VALVES
 ** AT FULL DIFFERENTIAL PRESSURE AT -320°F (-196°C) WITH PCTFE SEATS

SIZE	A	øD	E	F	G	H	J	K1	K2	øL1	øL2	øO	NPT THREAD	ISO 5211	WEIGHT (lbs)	Cv	TORQUE** (in-lbf)	BODY BOLT SIZE
1/2"	0.31 (8)	0.59 (15)	2.95 (75)	6.1 (155)	10.8 (274)	1.97 (50)	0.36 (9)	0.20 (5)	0.24 (6)	1.65 (42)	1.97 (50)	0.87 (22)	1/2"-14NPT	F04-F05	4	37	180	M6-1.0 X 20
3/4"	0.31 (8)	0.59 (15)	2.95 (75)	6.1 (155)	10.8 (274)	1.97 (50)	0.36 (9)	0.20 (5)	0.24 (6)	1.65 (42)	1.97 (50)	1.08 (27)	3/4"-14NPT	F04-F05	4	38	180	M6-1.0 X 20
1"	0.31 (8)	0.79 (20)	3.15 (80)	6.1 (155)	10.9 (277)	1.97 (50)	0.36 (9)	0.20 (5)	0.24 (6)	1.65 (42)	1.97 (50)	1.34 (34)	1"-11.5NPT	F04-F05	5	71	240	M8-1.25 X 22
1-1/2"	0.44 (11)	1.22 (31)	4.33 (110)	7.1 (180)	11.5 (292)	2.60 (66)	0.43 (11)	0.28 (7)	0.36 (9)	1.97 (50)	2.76 (70)	1.93 (49)	1-1/2"-11.5NPT	F05-F07	8	177	400	M10-1.5 X 25
2"	0.56 (14)	1.50 (38)	4.72 (120)	15.5 (394)	15.9 (404)	3.70 (94)	0.55 (14)	0.36 (9)	0.44 (11)	2.76 (70)	4.02 (102)	2.42 (61)	2"-11.5NPT	F07-F10	16	280	500	M10-1.5 X 25

1

2

3

4

5

6

1

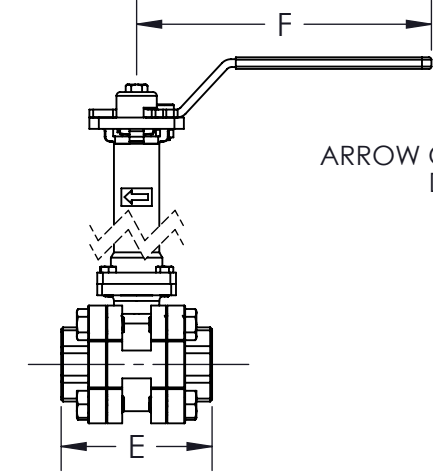
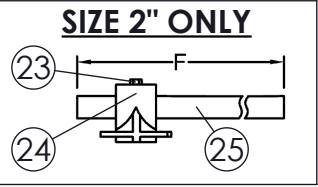
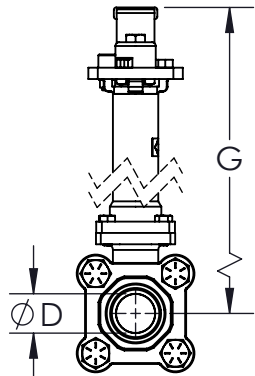
2

3

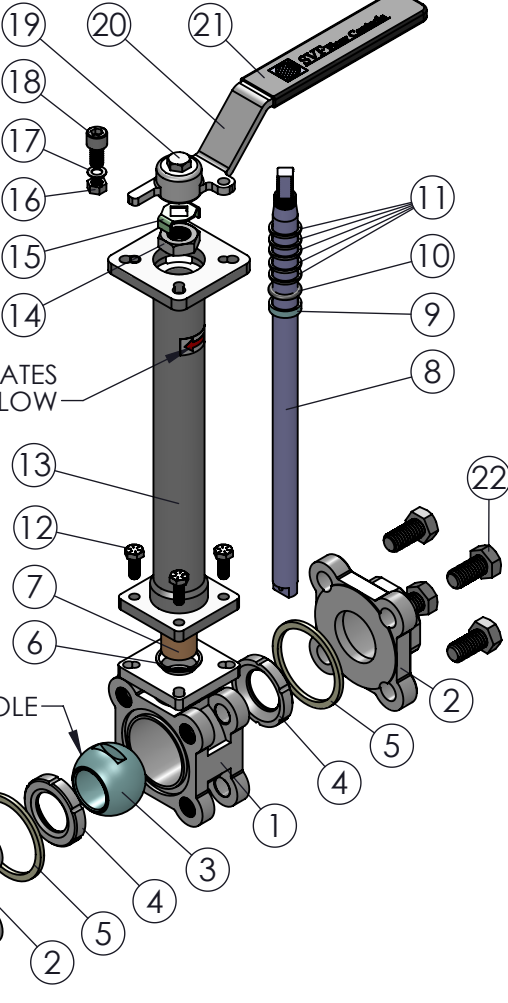
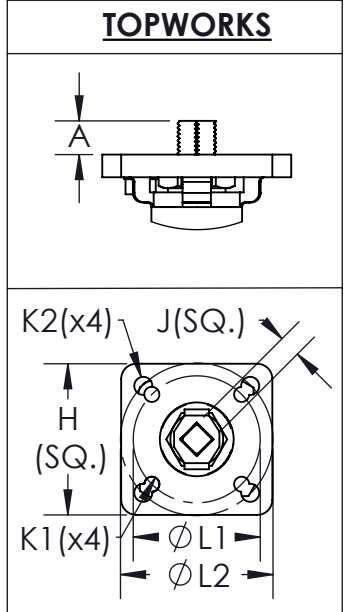
4

5

6

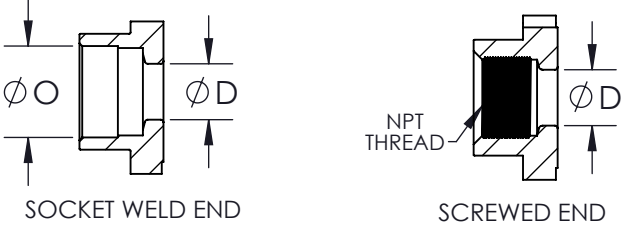


ARROW ON BODY INDICATES DIRECTION OF FLOW



PRESSURE RELIEF HOLE

END CONFIGURATIONS:



PRODUCT INFORMATION:

1. END CONNECTIONS AVAILABLE IN: SCREWED (FNPT), SOCKET WELD, BUTT WELD, 150# FLANGE (RAISED FACE)
2. SERVICES INCLUDE: OXYGEN CLEANING
3. BALL IS VENTED ON THE STEM SLOT AREA
4. ALL STAINLESS STEEL PASSIVATED
5. ANTI-STATIC DEVICE
6. BLOW-OUT PROOF STEM
7. LOCKING DEVICE (STANDARD)
8. COMPLETE VALVE AUTOMATION

APPLICABLE STANDARDS:

1. ASME B16.34: DESIGN
2. API 598: INSPECTION AND TESTING
3. ISO 5211: MOUNTING
4. ANSI B1.20.1: NPT
5. ANSI B16.11: FORGED STEEL FITTINGS, SOCKET-WELDING
6. ANSI B16.25: BUTT WELD ENDS
7. BS 6364: CRYOGENIC
8. CGA G-4.1: CLEANING FOR OXYGEN SERVICE
9. USP CLASS VI: CONFIRMATION OF COMPLIANCE (PTFE MATERIAL)

ITEM NO.	DESCRIPTION	MATERIALS	QTY.
1	BODY	A351-CF8M	1
2	END	A351-CF3M	2
3	BALL	A351-CF8M	1
4	SEAT	PCTFE	2
5	BODY SEAL	GRAFOIL	2
6	BONNET SEAL	PTFE/GRAFOIL	1
7	THRUST BEARING	CARBON FILLED PTFE	1
8	STEM	17-4 PH STAINLESS STEEL	1
9	THRUST WASHER	PCTFE	1
10	O-RING	VITON	1
11	STEM PACKING	PCTFE	5
12	EXTENSION BOLT	304 STAINLESS STEEL	4
13	EXTENSION	A351-CF8M	1
14	STEM NUT	304 STAINLESS STEEL	1
15	LOCK TAB	304 STAINLESS STEEL	1
16	STOP NUT	304 STAINLESS STEEL	1
17	STOP WASHER	304 STAINLESS STEEL	1
18	STOP PIN	304 STAINLESS STEEL	1
19	HANDLE BOLT	304 STAINLESS STEEL	1
20	LEVER HANDLE	304 STAINLESS STEEL	1
21	HANDLE SLEEVE	VINYL	1
22	BODY BOLT	304 STAINLESS STEEL	8
23	PIPE HANDLE SCREW (SIZE 2")	304 STAINLESS STEEL	1
24	PIPE HANDLE ADAPTER (SIZE 2")	304 STAINLESS STEEL	1
25	PIPE HANDLE (SIZE 2")	304 STAINLESS STEEL	1

DRAWN BY C.L. DATE 07/06/2017
 CHECKED BY E.P. DATE 03/29/2019
 APPROVED BY J.S. DATE 03/29/2019

SVF Flow Controls
 5595 Fresca Drive • La Palma, CA 90623 • 1.800.783.7836
 www.SVF.net • Sales@SVF.net

DESCRIPTION: 1/2" K8 3-PIECE CRYOGENIC BALL VALVE, FULL PORT
 3/4" - 2" K8 3-PIECE CRYOGENIC BALL VALVE, STANDARD PORT
 UNITS: INCH (MILLIMETERS) DATE: 03/29/2019 REV: D