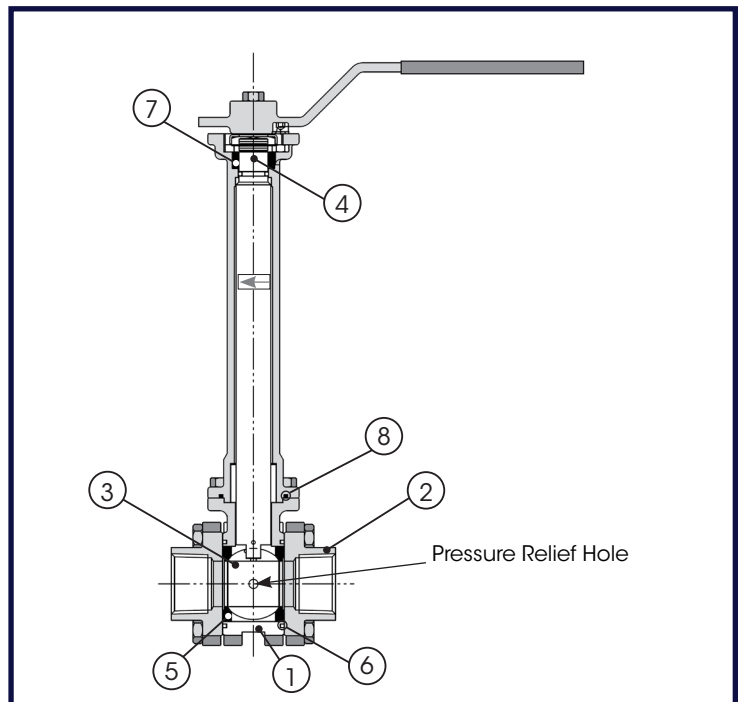
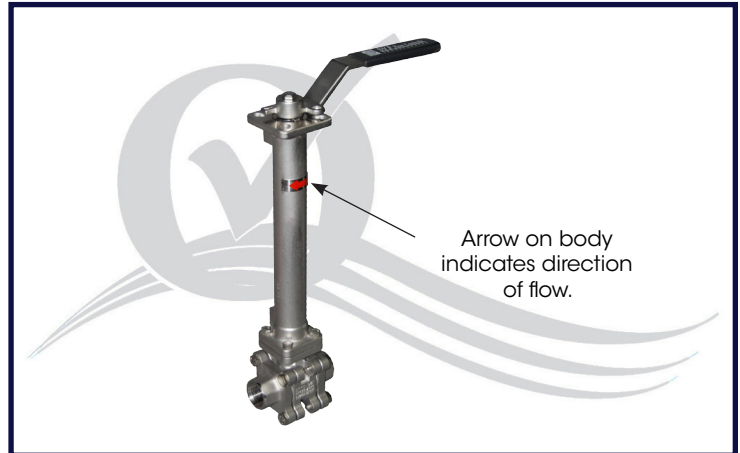


The SVF Series K8 Cryogenic Ball Valve is the quality solution for tough applications involving all types of cryogenics; oxygen, hydrogen, methane, ammonia, nitrogen, fluorine, and LNG. Our complete line of K8 cryogenic valves are backed by years of successful field experience and incorporates superior technology and design.

#### SERIES K8 DESIGN FEATURES

- ✓ Pressure rated to 2000 WOG
- ✓ Built-In ISO 5211 Direct Mounting Pad for easy automation
- ✓ Anti-Static stem device
- ✓ Three-piece "swing out" design offers easy access for in-line maintenance
- ✓ Standard seat material is PCTFE
- ✓ Blowout proof stem adds safety & reliability
- ✓ Standard locking device
- ✓ Meets testing requirements of BS 6364 standard
- ✓ Screwed Ends (SE0) standard
- ✓ Optional Ends: Socket Weld (SW0) and 150# Raised Flange Ends (RF1)



#### MATERIALS OF CONSTRUCTION

ITEM #	DESCRIPTION	MATERIALS SPECIFICATIONS
1	Body	316 Stainless Steel (ASTM A351 CF8M),
2	End Connector	316L Stainless Steel (ASTM A351 CF3M)
3	Ball	316 Stainless Steel (ASTM A351 CF8M)
4	Stem	Stainless Steel 17-4 ph (ASTM A564 630)
5	Seat	PCTFE
6	Body Seal	GRAFOIL/PCTFE
7	Stem Seal	PCTFE
8	Bonnet Seal	GRAFOIL/PCTFE

#### SERIES K8 STANDARDS OF COMPLIANCE

SVF Series K8 Ball Valves have been third party tested according to BS 6364 standard  
Contact SVF for our full report

What do you need today?™

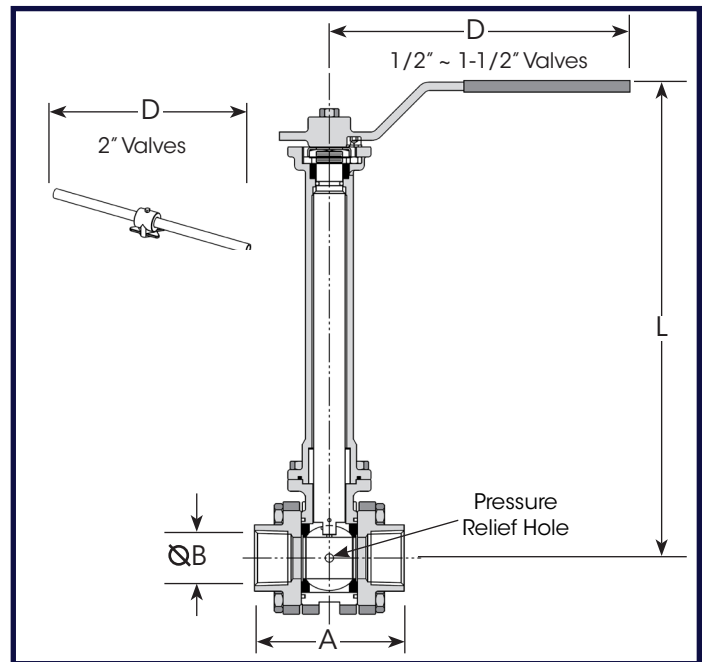
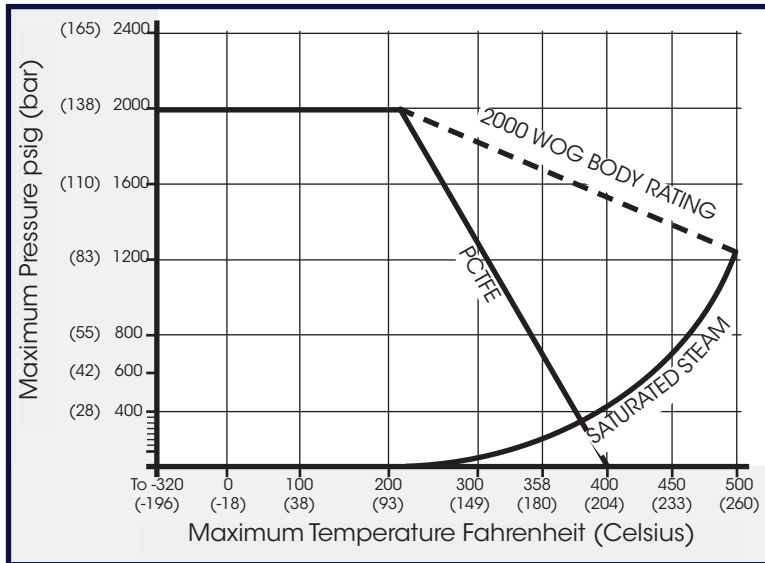
HIGH PURITY VALVES  
**CleanFLOW**

**PRO-SPEC**  
PROCESS SPECIFIC

**QUALITY FLOWS THROUGH US**

**DIMENSIONS, WEIGHT, CV, TORQUE**

Size	A		B		D		L		Weight		Cv	TORQUE @ -320°F (-196°C)	
	in.	mm	in.	mm	in.	mm	in.	mm	lbs	kg		in-lbf	Nm
1/2"	2.95	75	0.59	15	6.1	156	10.8	274	4.1	1.8	37	180	20
3/4"	2.95	75	0.59	15	6.1	156	10.8	274	4.4	2.0	38	180	20
1"	3.15	80	0.79	20	6.1	181	10.9	276	4.9	2.2	71	240	27
1-1/2"	4.33	110	1.22	31	7.1	181	11.50	292	8.3	3.7	177	400	45
2"	4.72	120	1.50	38	15.5	395	15.9	403	15.6	7.1	280	500	56

**K8 - PRESSURE/TEMPERATURE CHART**

**HOW TO ORDER SERIES K8 BALL VALVES**

Please refer to the next page for our comprehensive How to Order Guide for Series K8 Ball Valves.

Ordering Code Sequence (Columns 1 thru 11)

1	2	3	4	5	6
SERIES	BODY	ENDS	BALL	STEM	SEAT MATERIAL
K800	6 = 316 Stainless Steel ASTM A351 CF8M	6 = 316L Stainless Steel ASTM A351 CF3M	6 = 316 Stainless Steel ASTM A351 CF8M	M = Stainless Steel 17-4 pH ASTM A564 630	F = PCTFE

7	8	9	10	11
BODY SEAL	END CONNECTIONS	VALVE SIZE	OPTIONS	SPECIAL SERVICES
G = GRAFOIL F = PCTFE	SE0 = Screwed Ends (FNPT) (Standard)  SW0 = Socket Weld Ends  RF1 = 150# Flanged Ends (Raised Face)	005 = 1/2" (Full Port)  007 = 3/4"  010 = 1"  015 = 1-1/2"  020 = 2"	00 = None	00 = None  XC = Oxygen Cleaned

Order Example: (K800666MFGSE00050000) The Part Number will contain 20 digits.

Ordering Code Sequence >>	1	2	3	4	5	6	7	8	9	10	11
Sample Part Number >>	K800	6	6	6	M	F	G	SE0	005	00	00
	Valve Series	Body Material	End Material	Ball	Stem	Seat Material	Seat Material	End Connections	Valve Size	Options	Special Services

Manual Valves are supplied with lockable lever handles.