

The SVF Series HBEV high pressure, silicone free, fire safe ball valve is designed to meet applications up to 6000 psi. This high performance valve adds safety and reliability to high pressure systems and applications in a wide range of industrial applications.

#### SERIES HBEV DESIGN FEATURES

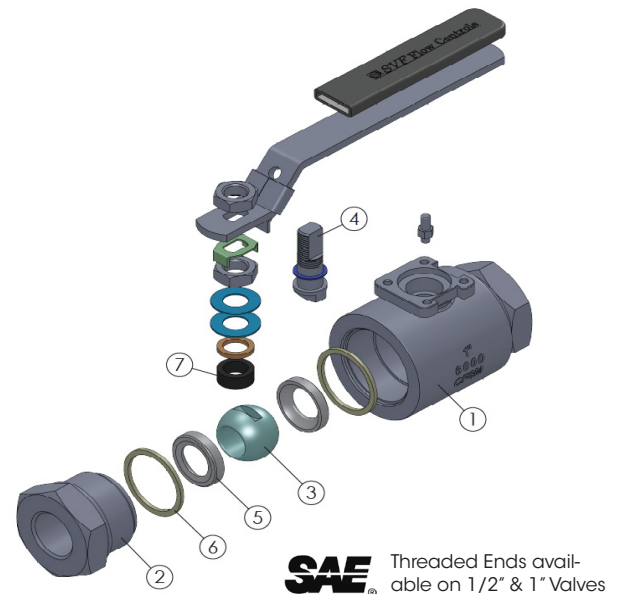
- ✓ Standard NACE MR 0175
- ✓ High pressure to 6000 psi
- ✓ Full Ported flow path in a high performance design for process-quality applications
- ✓ Fire Safe certification to API-607
- ✓ Live loaded stem packing ensures seal-tight pressure even under thermal cycling
- ✓ Manufactured without the use of silicone bearing compounds or lubricants
- ✓ ISO 5211 mounting pad for easy actuation
- ✓ Seat materials:  
Delrin® seats standard with SE (Screwed End) valves  
PEEK seats standard with SW (Socket Weld) valves
- ✓ Seal Welded Construction
- ✓ SAE Threaded Ends available (SAE Specification J1926)\*  
\*Available in Valve Sizes 1/2" and 1"

#### MATERIALS OF CONSTRUCTION

ITEM	DESCRIPTION	MATERIALS SPECIFICATIONS (Additional options available)
1	Body	Stainless Steel (ASTM A351 CF8M)
2	End Connector	Stainless Steel (ASTM A351 CF8M)
3	Ball	Stainless Steel (ASTM A351 CF8M)
4	Stem	Stainless Steel 17-4 pH (ASTM A564 630)
5	Seat	Delrin® (Screwed End Valves), PEEK (Socket Weld Valves)
6	Body Seal	PTFE, GRAFOIL® (GRAFOIL® Body Seal only on Socket Weld Valves)



The Series HBEV Two-Piece Seal Welded Ball Valve with standard latch lock handle



#### SPECIFICATION STANDARDS OF COMPLIANCE

SVF Series HBEV Ball Valves are available in designs that meet the following Industry Standards:

- ANSI
- ASME
- API
- SAE
- NACE
- ASTM
- DIN
- ISO
- MSS

Contact SVF for specific applications

*What do you need today?*™

HIGH PURITY VALVES  
**CleanFLOW**

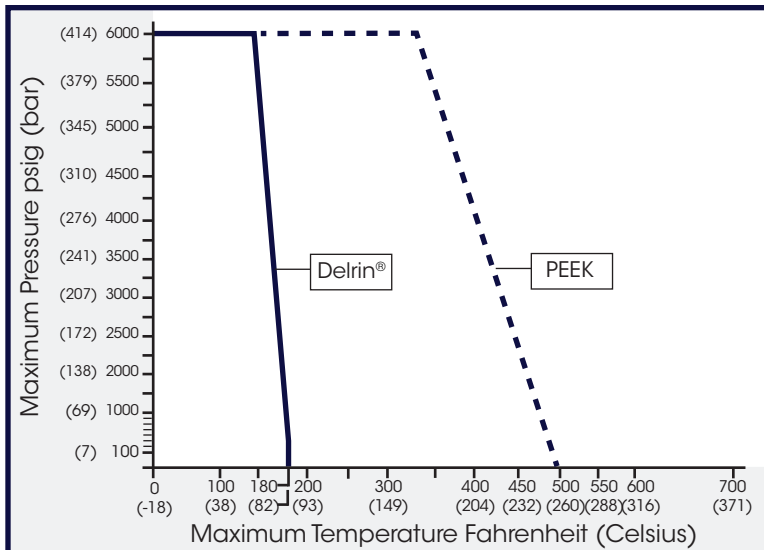
**PRO-SPEC**  
PROCESS SPECIFIC  
WWW.PRO-SPEC.NET

**QUALITY FLOWS  
THROUGH US**

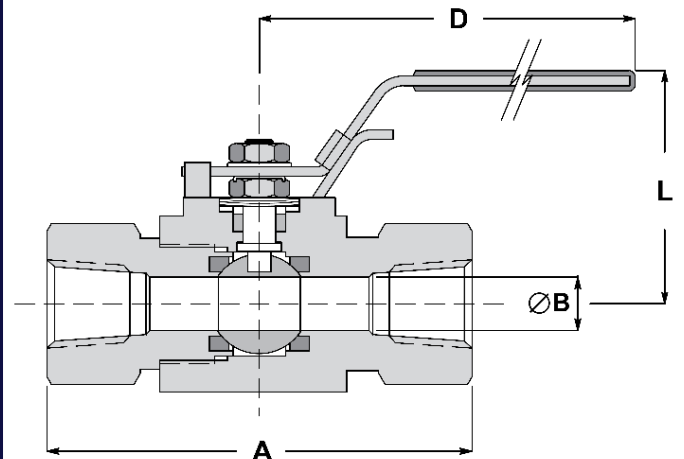
### DIMENSIONS, WEIGHT, CV, TORQUE

Size	A		B		D		L		Weight		Cv	Torque*	
	in.	mm	in.	mm	in.	mm	in.	mm	lbs	kg		in-lbf	Nm
1/2"	3.99	101	0.50	12.7	5	129	2.2	57	2	0.9	10	150	17
3/4"	4.25	108	0.75	20.0	6.3	150	2.7	71	4	1.8	32	200	23
1"	4.50	114	1.00	25.4	8.25	205	3.5	82	5	2.3	57	320	36
1-1/2"	5.25	133	1.50	38.1	10.2	260	4.5	105	11	5.0	104	575	65
2"	6.64	169	2.00	50.8	10.2	260	4.8	114	17	7.7	240	1000	113

### HBEV - PRESSURE/TEMPERATURE CHART



\* At full differential pressure for clean fluids with Delrin® Seats



**SAE** Threaded Ends available on 1/2" & 1" Valves

### HOW TO ORDER SERIES HBEV BALL VALVES

Please refer to the next page for our comprehensive How to Order Guide for Series HBEV Ball Valves.



Ordering Code Sequence (Columns 1 thru 11)

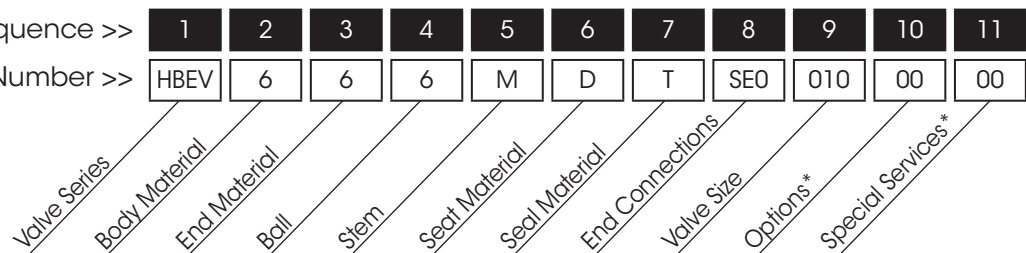
1	2	3	4	5	6
SERIES	BODY	ENDS	BALL	STEM	SEAT MATERIAL
HBEV	6 = 316 Stainless Steel ASTM A351 CF8M	6 = 316 Stainless Steel ASTM A351 CF8M	6 = 316 Stainless Steel ASTM A351 CF8M	M = Stainless Steel 17-4 pH ASTM A564 630	D = Delrin** (Valves with Screwed Ends)  K = PEEK (Valves with Socket Weld Ends)

7	8	9	10	11
BODY SEAL	END CONNECTIONS	VALVE SIZE	OPTIONS*	SPECIAL SERVICES*
T = TFM1600™ (Valves with Screwed Ends)  G = GRAFOIL (Valves with Socket Weld Ends)	SEO = Threaded Ends (FNPT)  SW0 = Socket Weld Ends  SAE = Screwed Ends per SAE Specification J1926 (1/2" & 1" Size Valves)	005 = 1/2"  007 = 3/4"  010 = 1"  015 = 1-1/2"  020 = 2"	00 = None	00 = None

Order Example: (HBEV666MDTSE00100000) The Part Number will contain 20 digits.

Ordering Code Sequence >>

Sample Part Number >>



Manual valves are supplied with lockable lever handles.

Anti-Static Device is part of the standard assembly of these Valves.

\* Not all Options or Special Services available on all ball valves. Consult SVF for additional information.

\*\* Delrin Seats cannot be used for Oxygen Service