

*AT FULL DIFFERENTIAL PRESSURE FOR CLEAN FLUIDS WITH DELRIN SEATS

SIZE	A	øB	C	øD	E	F	G	H (SQ.)	J1	J2	øK	L	øM	NPT THREAD	SAE THREAD	ISO 5211	WEIGHT (lbs)	Cv	TORQUE* (in-lbf)
1/2"	0.36 (9)	0.80 (20)	0.59 (15)	0.50 (13)	3.99 (101)	5.0 (129)	2.2 (57)	1.4 (35)	0.22 (5)	0.36 (9)	M5 X 0.8P	1.42 (36)	0.86 (22)	1/2" - 14NPT	SAE 8	F03	2	10	150
3/4"	0.51 (13)	0.90 (23)	0.83 (21)	0.75 (20)	4.25 (108)	6.3 (150)	2.7 (71)	1.6 (41)	0.30 (8)	0.43 (11)	M5 X 0.8P	1.65 (42)	1.06 (27)	3/4" - 14NPT	N/A	F04	4	32	200
1"	0.51 (13)	1.10 (28)	0.87 (22)	1.00 (25)	4.50 (114)	8.25 (205)	3.5 (82)	1.6 (41)	0.34 (9)	0.54 (14)	M5 X 0.8P	1.65 (42)	1.34 (34)	1" - 11.5NPT	SAE 16	F04	5	57	320
1-1/2"	0.63 (16)	1.30 (33)	1.06 (27)	1.50 (38)	5.25 (133)	10.2 (260)	4.5 (105)	1.9 (48)	0.39 (10)	0.61 (15)	M6 X 1.0P	1.97 (50)	1.92 (49)	1-1/2" - 11.5NPT	N/A	F05	11	104	575
2"	0.63 (16)	1.30 (33)	1.06 (27)	2.00 (51)	6.64 (169)	10.2 (260)	4.8 (114)	1.9 (48)	0.39 (10)	0.61 (15)	M6 X 1.0P	1.97 (50)	2.40 (61)	2" - 11.5NPT	N/A	F05	17	240	1000

PRODUCT INFORMATION:

1. END CONNECTIONS AVAILABLE IN: SCREWED (FNPT), SOCKET WELD AND SCREWED ENDS PER SAE SPECIFICATION J1926 (SIZES 1/2" & 1" VALVES)

2. FLOATING BALL

3. BALL IS VENTED ON THE STEM SLOT AREA

4. BLOW-OUT PROOF STEM

5. 1/2" - 2" FULL PORT

6. STANDARD LOCKING HANDLE

7. SEAL WELDED CONSTRUCTION

8. SEAT MATERIALS:

7.1. DELRIN SEATS/PTFE BODY SEALS STANDARD WITH SE (SCREWED END) ENDS

7.2. PEEK SEATS/GRAFOIL BODY SEALS STANDARD WITH SW (SOCKET WELD) ENDS

9. ANTI-STATIC DEVICE

10. COMPLETE VALVE AUTOMATION

APPLICABLE STANDARDS:

1. NCAE MR 0175

2. ISO 5211: MOUNTING

3. API 607: FIRE SAFE

4. API 598: INSPECTION AND TESTING

5. ANSI B1.20.1: NPT

6. ASME B16.11: FORGED STEEL FITTINGS, SOCKET-WELDING

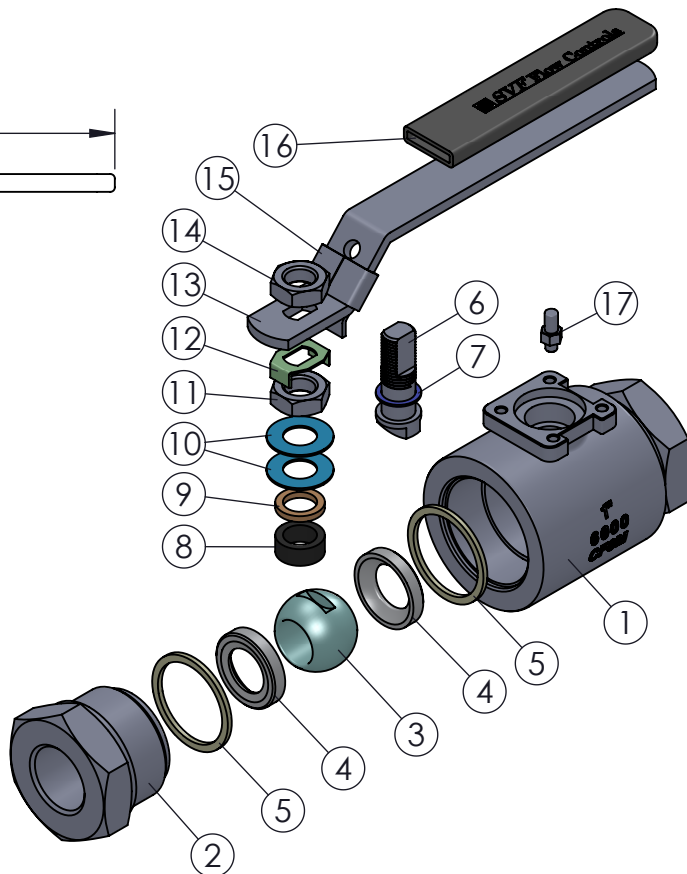
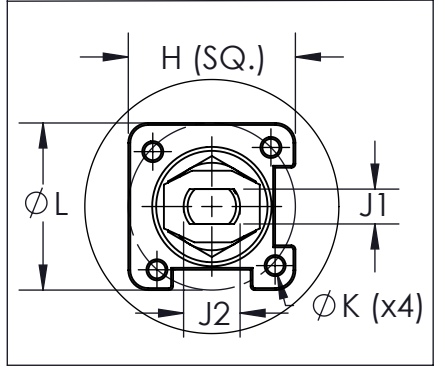
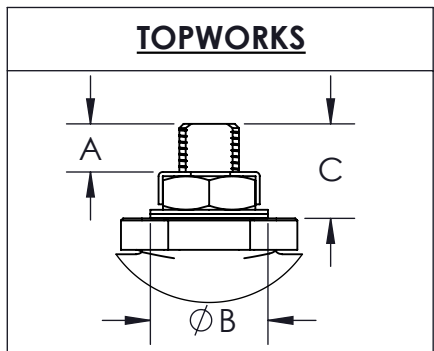
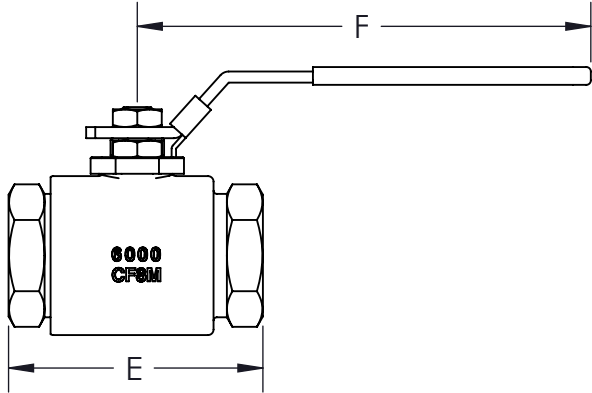
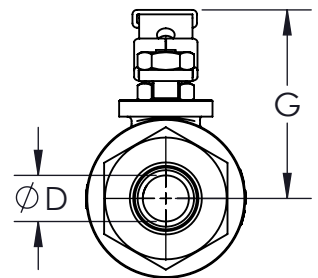
ITEM NO.	DESCRIPTION	MATERIALS	QTY.
1	BODY	A351-CF8M	1
2	END	A351-CF8M	1
3	BALL	A351-CF8M	1
4	SEAT	DELRIN PEEK	2
5	BODY SEAL	PTFE GRAFOIL	2
6	STEM	A564-630	1
7	STEM THRUST WASHER	PEEK	1
8	STEM SEAL	GRAFOIL	1
9	GLAND FOLLOWER	304 STAINLESS STEEL	1
10	BELLEVILLE WASHER	301 STAINLESS STEEL	2
11	JAM NUT	304 STAINLESS STEEL	1
12	LOCK TAB	304 STAINLESS STEEL	1
13	LEVER HANDLE	304 STAINLESS STEEL	1
14	HANDLE NUT	304 STAINLESS STEEL	1
15	LOCKING DEVICE	304 STAINLESS STEEL	1
16	HANDLE SLEEVE	PVC	1
17	STOP PIN	304 STAINLESS STEEL	1

DRAWN BY E.P.	DATE 06/09/2017
CHECKED BY E.G.	DATE 01/30/2019
APPROVED BY J.S.	DATE 01/30/2019

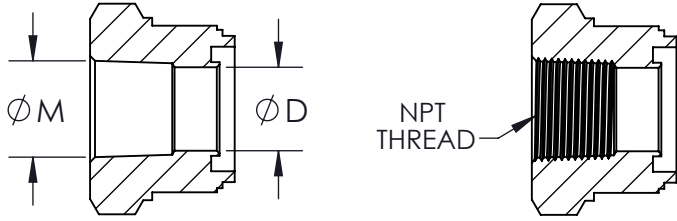
SVF Flow Controls
 5595 Fresca Drive • La Palma, CA 90623 • 1.800.783.7836
 www.SVF.net • Sales@SVF.net

DESCRIPTION: 1/2" - 2" HBEV 2-PIECE HIGH PRESSURE AND FIRE SAFE BALL VALVE

UNITS: INCH (MILLIMETERS) DATE: 01/30/2019 REV: D



END CONFIGURATIONS:



SOCKET WELD END

SCREWED END