



The SVF EXACT-DH Series Digital Positioners is a microprocessor based "intelligent" instrument that can be mounted to rotary or linear pneumatic actuators for accurate positioner control. This unit is simple to mount, calibrate and with good filtered air and proper maintenance, can provide very accurate and trouble-free service.

EXACT-DH SERIES DESIGN FEATURES

- ✓ Microprocessor-based valve positioner
- ✓ User friendly, menu driven programming with LCD Display-multilingual
- ✓ Local push button configuration - no handheld device or PC necessary
- ✓ Low air consumption and proven dependable mechanical design
- ✓ Modular design - available with position feedback, micro switches and "Fail Freeze" options - rotary or linear mounting
- ✓ Epoxy Coated Aluminum Enclosure - Nema 4X IP 65
- ✓ Unique adaptive control feature offers the ability to update valve/actuator package for maximum control without upsetting the process
- ✓ ATEX-FM-CSA-IEC-Ex approvals available



MATERIALS OF CONSTRUCTION

ITEM	DESCRIPTION	MATERIALS
1	Housing	Epoxy Coated Aluminum
2	Mounting Bracket	Stainless Steel



Also available in the approvals below:

EXACT-DH Intrinsically safe

EXACT-DH Explosion Proof

Non-incendive - Enclosure 4X, max 65°C

Intrinsically safe - 4X, T5 max 82°C
Non-incendive - 4X, T4, max 85°C



What do you need today?™

HIGH PURITY VALVES
CleanFLOW
CleanFLOWValves.net

PRO-SPEC
PROCESS SPECIFIC
WWW.PRO-SPEC.NET

QUALITY FLOWS
THROUGH US



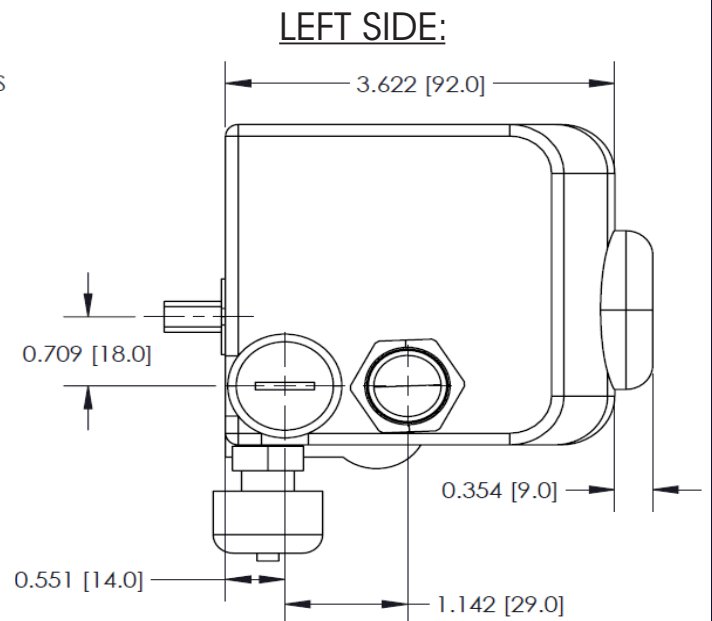
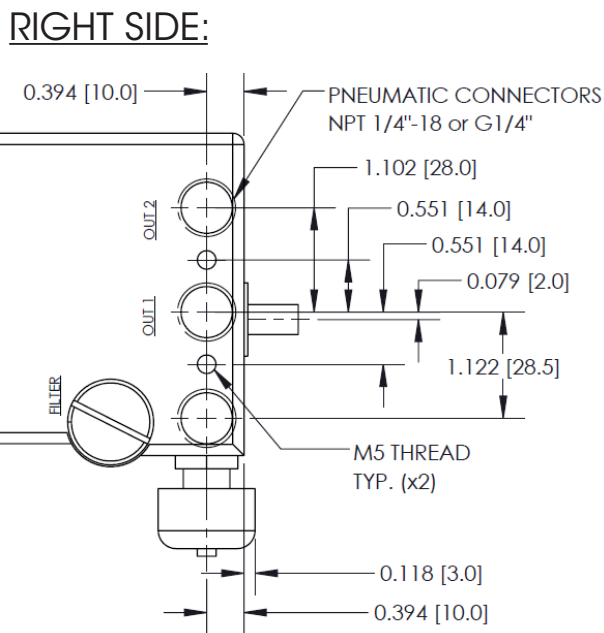
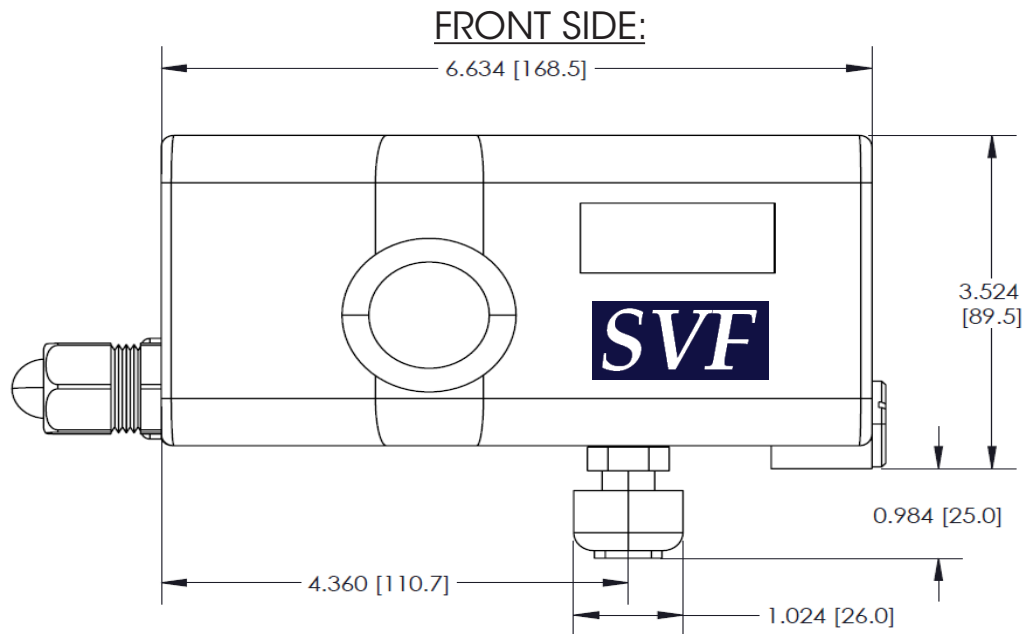
TECHNICAL SPECIFICATIONS

Input Range:	4-20mA with Hart
Supply Pressure:	Up to 90 PSIG (6 bar)
Characteristic Deviation:	≤0.5%
Deadband:	0.1% adjustable to 10%
Rotation Angle:	25° - 270° degree
Resolution (A/D conversion):	16,000
Sample Rate:	24 msec
Temperature effect:	<0.4% for every 50° F change
Air Delivery @ 90 PSI (6 bar):	6.0 SCFM
Air Consumption @ 90 PSI (6 bar):	≤0.015 SCFM
Temperaure Range:	-40° F to 185° F
Air Connections:	1/4" NPT
Cable Entry:	1/2" NPT
Ingress & Corrosion Protection:	Nema 4X
Coating:	Varnish with epoxy resin Aluminum base housing
Weight:	3.8 lbs
Seismic Vibration:	Meets requirements to DIN IEC 68-3-3 Class III for strong and strongest earthquakes
Mechanical Vibration:	≤1% up to 10g and 10Hz to 80Hz
Mounting Orientation:	≤0.5% at 90° change
EMI:	Complies with EMC directive 89/336/EEC as of May 1989

HOW TO ORDER SVF EXACT-DH SERIES DIGITAL POSITIONERS

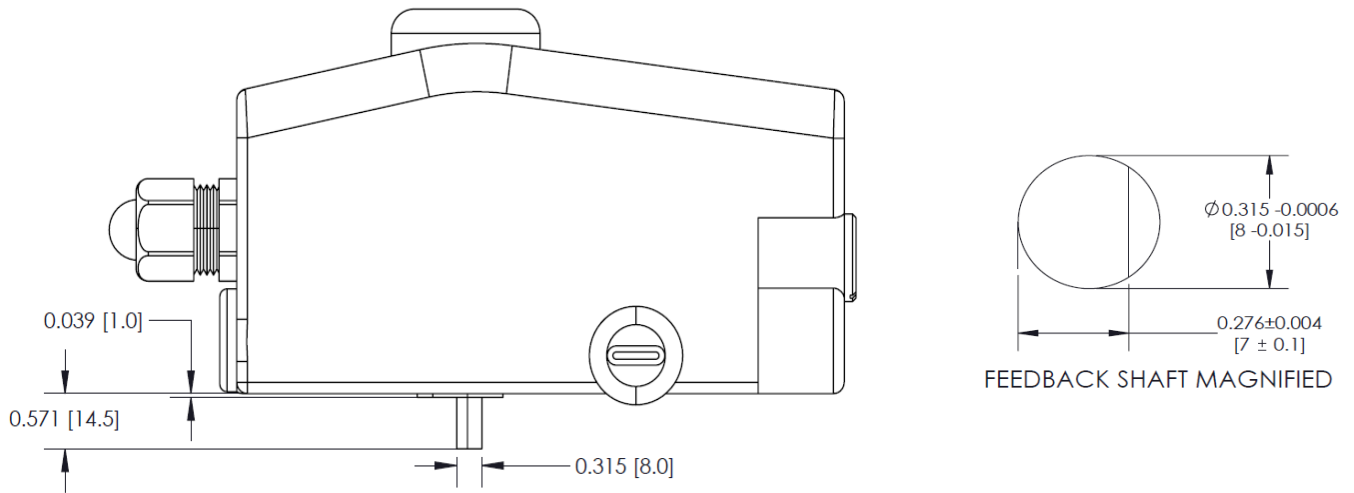
MODEL SERIES	ACTION	COMMUNICATION	OPTIONS
DH00 = General Purpose DHIS = Intrinsically Safe DHEX = Explosion Proof	S = SINGLE D = DOUBLE	H0 = 4-20mA with HART	00 = NONE GB = BLOCK WITH GAUGES S2 = MICRO SWITCHES TO = 4/20 TRANSMITTER
Order Example: DHISSH0GB			

DIMENSIONS Dimensions are in INCHES [mm] (continued on next page)



DIMENSIONS Dimensions are in INCHES [mm] (continued from previous page)

TOP SIDE:



BOTTOM SIDE:

