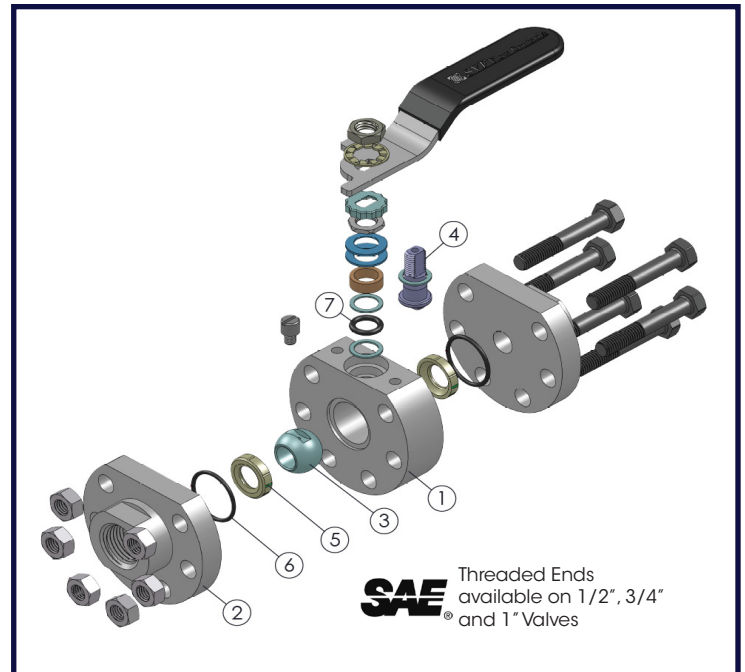


The SVF Series H7 Standard Port, high pressure ball valve is designed to meet applications up to 6000 psi. Available in Carbon or Stainless Steel, the H7 adds safety and reliability to high pressure systems and applications in Offshore, Oil & Gas, Petrochemical, Power, CNG and Refining.

#### SERIES H7 DESIGN FEATURES

- ✓ High pressure to 6000 psi
- ✓ Live-loaded stem packing ensures seal-tight pressure containment even under thermal cycling
- ✓ Three-piece "swing out" design offers easy access for in-line maintenance
- ✓ Standard seat material is Delrin®
- ✓ Blowout proof stem adds safety & reliability
- ✓ Stainless Steel fasteners and handle
- ✓ SAE Threaded Ends available (SAE Specification J1926) \*\* Available in Valve Sizes 1/2", 3/4" and 1"
- ✓ Compression Male Fittings (CMO) and Compression Nut & Double Ferrule (BL0) Ends available\*\*  
\*\* Available in sizes 3/4" and 1"



#### MATERIALS OF CONSTRUCTION

ITEM #	DESCRIPTION	MATERIALS SPECIFICATIONS
1	Body	Carbon Steel (A105), Carbon Steel (ASTM A216 - WCB), 316 Stainless Steel (ASTM A351- CF8M), 316L Stainless Steel (ASTM A479)
2	End Connector	Carbon Steel (A105), Carbon Steel (ASTM A216 - WCB), 316L Stainless Steel (ASTM A479) 316L Stainless Steel (ASTM A351- CF3M)
3	Ball	Stainless Steel 17-4 pH (ASTM A564 - 630) Sizes 1/2", 3/4" & 1" 316 Stainless Steel (ASTM A351- CF8M) Sizes 1-1/2" & 2"
4	Stem	Stainless Steel 17-4 ph (ASTM A564 - 630)
5	Seat	Delrin®, PEEK
6	Body Seal	Buna "N", Viton®, EPDM
7	Stem Seal	Buna "N", Viton®, EPDM

#### SERIES H7 NFPA-52 COMPLIANCE

SVF Series H7 Ball Valves have been third party pressure tested to 4X according to NFPA-52

Contact SVF for specific applications

What do you need today?™

HIGH PURITY VALVES  
**CleanFLOW**

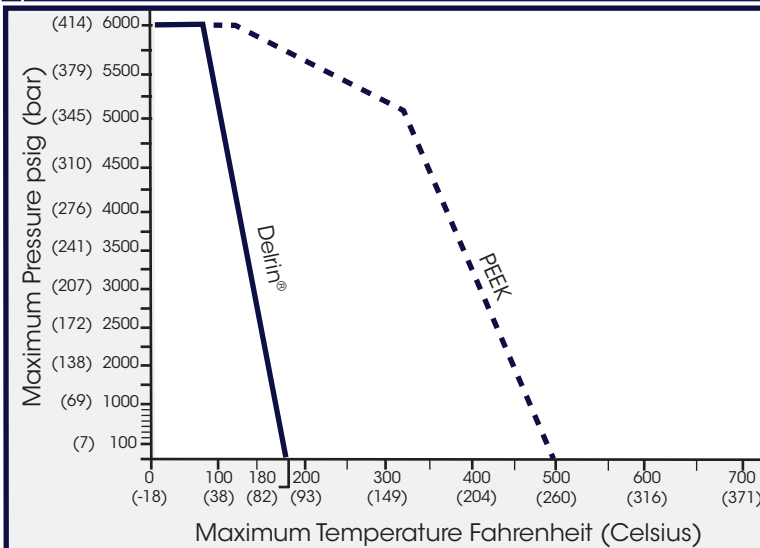
**PRO-SPEC**  
PROCESS SPECIFIC

**QUALITY FLOWS THROUGH US**

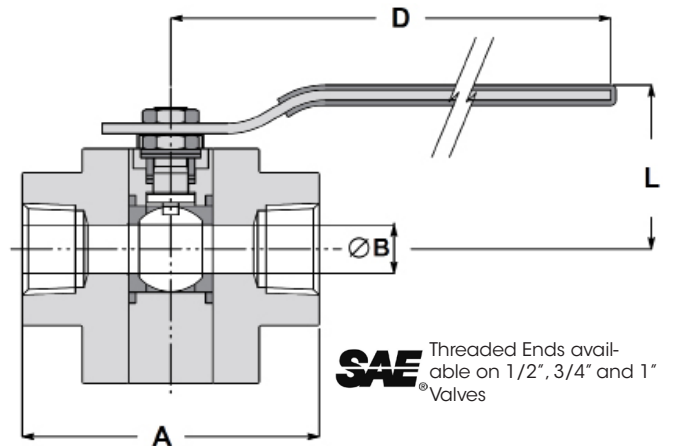
#### DIMENSIONS, WEIGHT, Cv, TORQUE

Size	A		B		D		L		Weight		Cv	Torque*	
	in.	mm	in.	mm	in.	mm	in.	mm	lbs	kg		in-lbf	Nm
1/2"	2.79	71	0.44	11	5.00	127	1.81	46	3.5	1.6	8	60	7
3/4"	3.42	87	0.56	14	5.00	127	1.89	48	5.3	2.4	12	200	23
1"	4.01	102	0.81	21	5.98	152	2.40	61	9.9	4.5	32	300	34
1-1/2"	5.03	128	1.25	32	10.98	279	3.19	81	20.9	9.5	80	550	62
2"	5.64	143	1.50	38	10.98	279	3.31	84	28.9	13.1	104	1100	124

#### H7 - PRESSURE/TEMPERATURE CHART



\* At full differential pressure for clean fluids with Delrin® Seats



#### HOW TO ORDER SERIES H7 BALL VALVES

Please refer to the next page for our comprehensive How to Order Guide for Series H7 Ball Valves.

Ordering Code Sequence (Columns 1 thru 11)

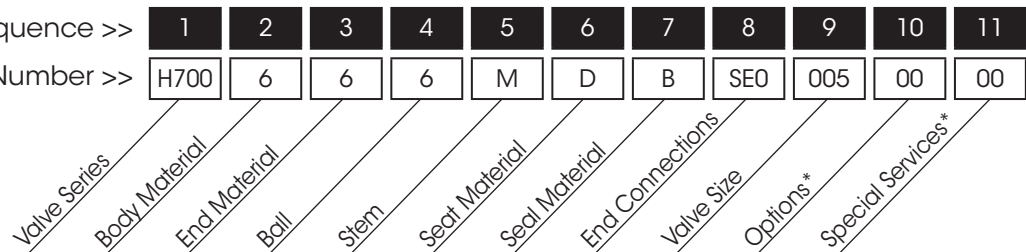
1	2	3	4	5	6
SERIES	BODY	ENDS	BALL	STEM	SEAT MATERIAL
H700	4 = Carbon Steel ASTM A216 WCB or ASTM A105  6 = 316 Stainless Steel ASTM A351 CF8M or ASTM A479 316L	4 = Carbon Steel ASTM A216 WCB or ASTM A105  6 = 316L Stainless Steel ASTM A351 CF3M or ASTM A479 316L	6 = 316 Stainless Steel ASTM A351 CF8M  Note: Stainless Steel 17-4 pH (ASTM A564 630) used for sizes 1/2", 3/4" & 1"	M = Stainless Steel 17-4 pH ASTM A564 630	D = Delrin**  K = PEEK

7	8	9	10	11
BODY SEAL	END CONNECTIONS	VALVE SIZE	OPTIONS*	SPECIAL SERVICES*
B = Buna "N"  V = Viton  E = EPDM	SEO = Threaded Ends (FNPT)  SW0 = Socket Weld Ends  SAE = Threaded Ends per SAE Specification J1926 (1/2", 3/4" & 1" Size Valves)  AAA = Threaded End (FNPT) X Socket Weld End  AAP = Threaded End (SAE) X Socket Weld End (1/2", 3/4" & 1" Size Valves)  CM0* = Compression Male Fittings* BLO* = Compression Nut and Double Ferrule Ends *Sizes 3/4" and 1" only	005 = 1/2"  007 = 3/4"  010 = 1"  015 = 1-1/2"  020 = 2"	00 = None  LK = Locking Device  AD = Anti-Static Device  AC = Locking Device & Anti-Static Device	00 = None  HC = High Cycle Stem Kit  UH = Vent / Relief Hole <sup>1</sup>

Order Example: (H700666MDBSE00050000) The Part Number will contain 20 digits.

Ordering Code Sequence >>

Sample Part Number >>



<sup>1</sup> Vent Hole is on the upstream side

\* Not all Options or Special Services available on all ball valves. Consult SVF for additional information.

\*\* Delrin Seats cannot be used for Oxygen Service