

The SVF Series FS7 (Standard Port) ball valves are produced in 3" and 4" sizes and complete the three-piece fire safe series of ball valves. They satisfy a wide range of industrial applications for processing and handling flammable fluids.

#### SERIES FS7 DESIGN FEATURES

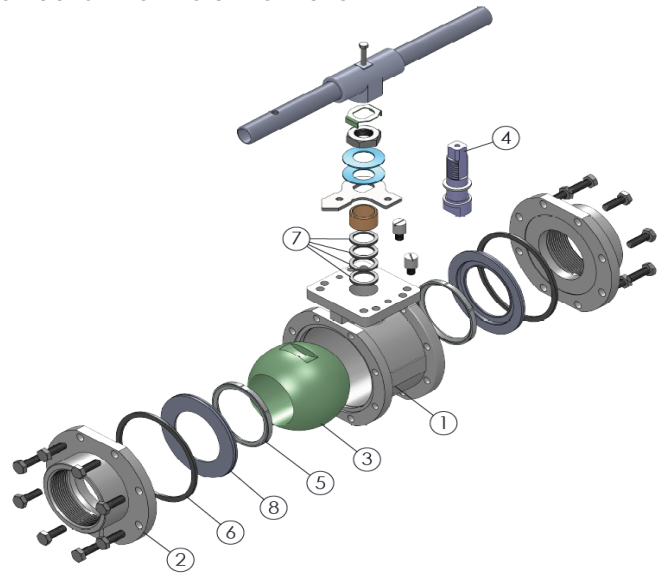
- ✓ Fire tested to API-607
- ✓ GRAFOIL® Body Seals
- ✓ Lockable handle fully compatible with OSHA clamp for Lock-Out/Tag-Out
- ✓ Built-In ISO 5211 mounting pad for easy automation
- ✓ End connections include SE (Threaded Ends-FNPT), SW (Socket Weld) and BW (Butt Weld)

#### MATERIALS OF CONSTRUCTION

ITEM	DESCRIPTION	MATERIAL SPECIFICATIONS
1	Body	316 Stainless Steel (ASTM A351 - CF8M) Carbon Steel (ASTM A216 - WCB)
2	End Connector	316L Stainless Steel (ASTM A351 - CF3M) Carbon Steel (ASTM A216 - WCB)
3	Ball	316 Stainless Steel (ASTM A351 - CF8M)
4	Stem	316 Stainless Steel (ASTM A276)
5	Seat	TFM1600™
6	Body Seal	GRAFOIL®, PTFE
7	Stem Seal	GRAFOIL®, TFM1600™,
8	Seat Retainer	316L Stainless Steel (ASTM A351 CF8M)



The Series FS7 Ball Valve is available with additional options. Contact SVF for more information.



#### SPECIFICATION STANDARDS OF COMPLIANCE

SVF Series FS7 Ball Valves are available in designs that meet the following Industry Standards:

- ANSI
- ASME
- API
- NACE
- ASTM
- DIN
- ISO
- MSS

Contact SVF for specific applications

*What do you need today?*™

HIGH PURITY VALVES  
**CleanFLOW**

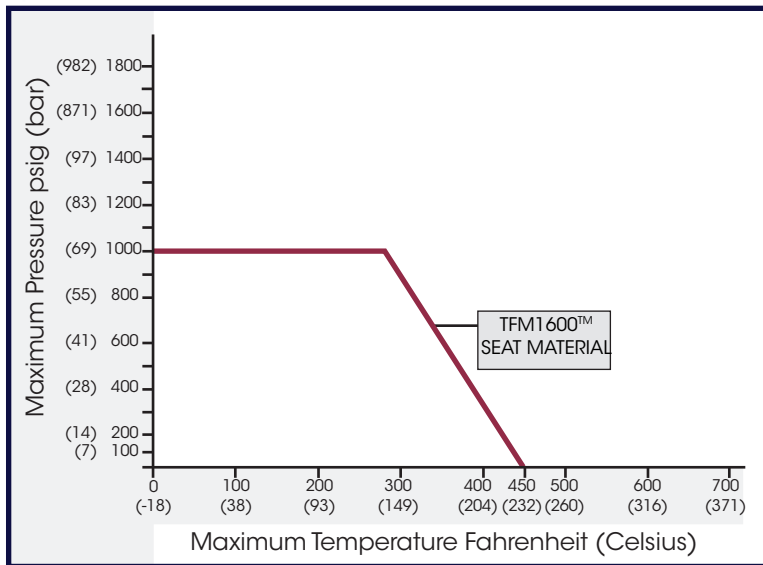
**PRO-SPEC**  
PROCESS SPECIFIC

**QUALITY FLOWS**  
THROUGH US

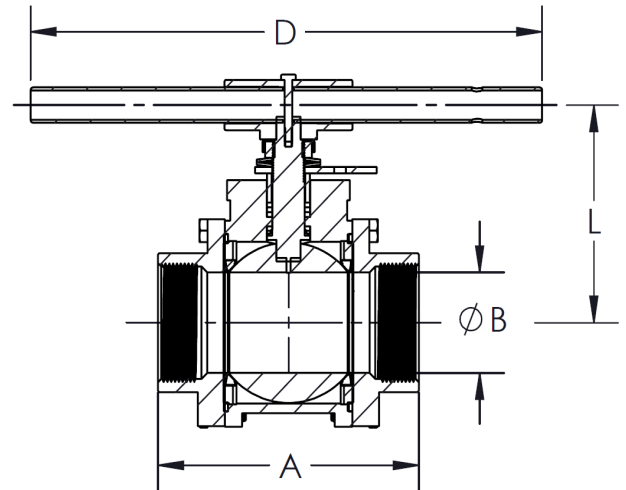
## DIMENSIONS, WEIGHT, CV, TORQUE

Size	A		B		D		L		Weight		Cv	Torque*	
	in.	mm	in.	mm	in.	mm	in.	mm	lbs	kg		in-lbf	Nm
3"	8.03	204	2.95	75	15.75	400	6.77	172	36	16.3	580	987	112
4"	9.45	240	3.78	96	15.75	400	7.28	185	56	25.4	2400	1009	114

## FS7 - PRESSURE/TEMPERATURE CHART



\* At full differential pressure for clean fluids with TFM1600™ Seats



## HOW TO ORDER SERIES FS7 BALL VALVES

Please refer to the next page for our comprehensive How to Order Guide for Series FS7 Ball Valves.

Ordering Code Sequence (Columns 1 thru 11)

1	2	3	4	5	6
SERIES	BODY	ENDS	BALL	STEM	SEAT MATERIAL
FS70	4 = Carbon Steel ASTM A216 WCB 6 = 316 Stainless Steel ASTM A351 CF8M	4 = Carbon Steel ASTM A216 WCB 6 = 316L Stainless Steel ASTM A351 CF3M	6 = 316 Stainless Steel ASTM A351 CF8M	6 = 316 Stainless Steel ASTM A276-316	A = TFM1600™ (Standard) N = NRG (Carbon Filled TFE)

7	8	9	10	11
BODY SEAL	END CONNECTIONS	VALVE SIZE	OPTIONS*	SPECIAL SERVICES*
G = GRAFOIL (Standard)  T = PTFE	SE0 = Threaded Ends (FNPT)  SW0 = Socket Weld Ends  BW0 = Butt Weld Ends Schedule 40 wall (std.)  AAA = Threaded End X Socket Weld End  AAB = Threaded End X Butt Weld (Sch-40) End  AAD = Threaded End X Butt Weld (Sch-10) End  Butt Weld Ends: BWB = Schedule 10	030 = 3"  040 = 4"	00 = None  SX = ISO Cast Stem Extension	00 = None  XC = Oxygen Cleaned  UH = Vent/Relief Hole <sup>1</sup>

Order Example: (FS706666AGSE00300000) The Part Number will contain 20 digits.

Ordering Code Sequence >>	1	2	3	4	5	6	7	8	9	10	11
Sample Part Number >>	FS70	6	6	6	6	A	G	SE0	030	00	00
	Valve Series	Body Material	End Material	Ball	Stem	Seat Material	Seal Material	End Connections	Valve Size	Options*	Special Services*

Manual Valves are supplied with locking device. Anti-Static Device is part of the standard assembly of these Valves.  
Anti-Static Device is part of the standard assembly of these Valves.

<sup>1</sup> Vent Hole is on the Upstream Side

\*Not all Accessories/Options or Special Services available on all ball valves. Consult SVF for additional information.