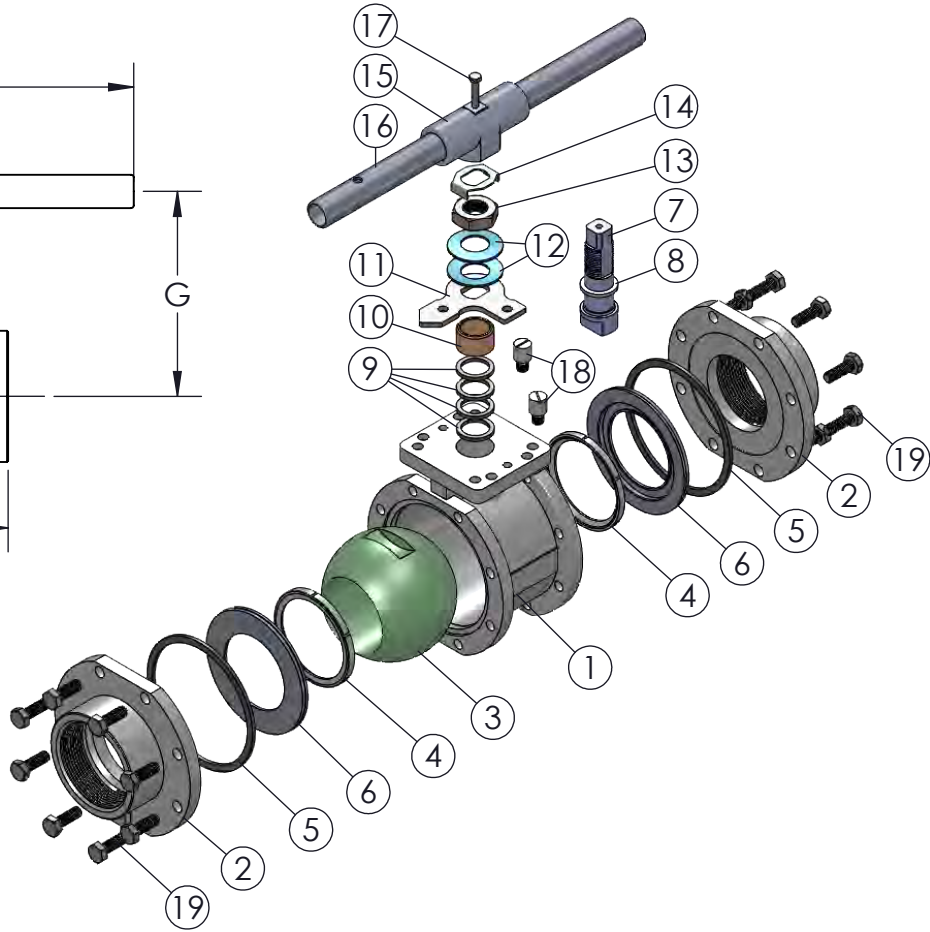
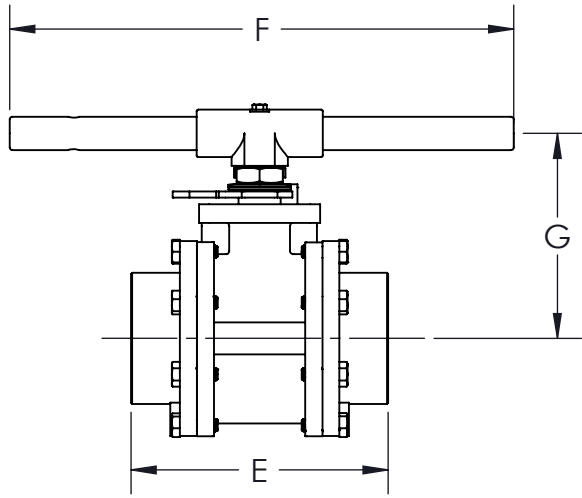


\* AT FULL DIFFERENTIAL PRESSURE FOR CLEAN FLUIDS WITH TFM1600 SEATS

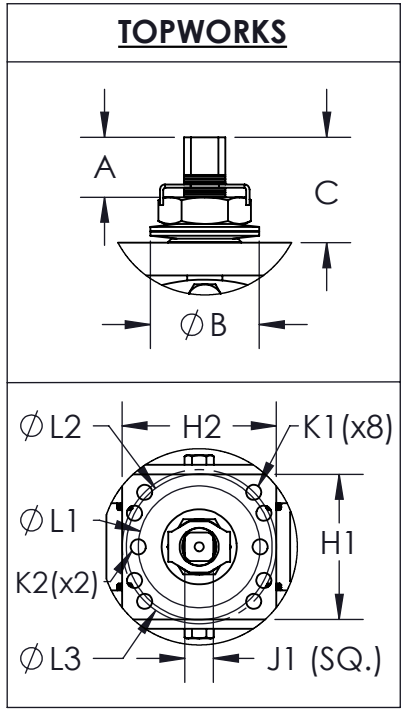
SIZE	A	øB	C	øD	E	F	G	H1	H2	J1	K1	K2	øL1	øL2	øL3	øM1	øM2	øN1	øN2	O1	NPT THREAD	ISO 5211	WEIGHT (lbs)	Cv	TORQUE* (in-lbf)	BODY BOLT SIZE
3"	0.71 (18)	1.89 (48)	1.85 (47)	2.95 (75)	8.03 (204)	15.75 (400)	6.77 (172)	3.78 (96)	4.02 (102)	0.75 (19)	M10-1.5	0.31 (8)	3.15 (80)	3.74 (95)	4.02 (102)	3.54 (90)	4.09 (104)	3.07 (78)	3.54 (90)	0.63 (16)	3" NPT	F10	36	580	987	M10-1.50 X 30
4"	0.71 (18)	1.89 (48)	1.85 (47)	3.78 (96)	9.45 (240)	15.75 (400)	7.28 (185)	3.78 (96)	4.02 (102)	0.75 (19)	M10-1.5	0.31 (8)	3.15 (80)	3.74 (95)	4.02 (102)	4.65 (118)	5.35 (136)	4.06 (103)	4.53 (115)	0.79 (20)	4" NPT	F10	56	2400	1009	M12-1.75 X 30



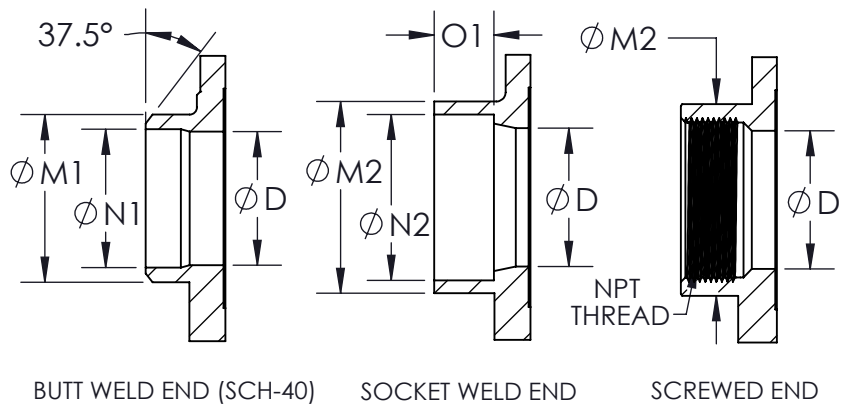
**PRODUCT INFORMATION:**  
 1. END CONNECTIONS AVAILABLE IN: SCREWED (FNPT), SOCKET WELD, BUTT WELD (SCH-40 OR SCH-10)  
 2. SERVICES INCLUDE: OXYGEN CLEANING, DEGREASING, UPSTREAM VENT/RELIEF HOLE  
 3. FS7 VALVE WOULD NOT BE FIRE SAFE IF SUPPLIED WITH PTFE BODY SEALS.  
 4. BALL IS VENTED ON THE STEM SLOT AREA  
 5. ALL STAINLESS STEEL PASSIVATED  
 6. MANGANESE PHOSPHATE COATING ON WCB CARBON STEEL.  
 7. LOCKING DEVICE IS A STANDARD COMPONENT  
 8. COMPLETE VALVE AUTOMATION

**OPTIONS:**  
 1. ISO STEM EXTENSION  
 2. ANTI-STATIC DEVICE

**APPLICABLE STANDARDS:**  
 1. ASME B16.34: DESIGN  
 2. API 598: INSPECTION AND TESTING  
 3. API 607: FIRE TESTED  
 4. ISO 5211: MOUNTING  
 5. ANSI B1.20.1: NPT  
 6. ANSI B16.11: FORGED STEEL FITTINGS, SOCKET-WELDING  
 7. ANSI B16.25: BUTT WELD ENDS  
 8. USP CLASS VI: CONFIRMATION OF COMPLIANCE (TFM1600/PTFE MATERIAL)



**END CONFIGURATIONS:**



ITEM NO.	DESCRIPTION	MATERIALS	QTY.
1	BODY	A351-CF8M A216-WCB	1
2	END	A351-CF8M A216-WCB	2
3	BALL	A351-CF8M	1
4	SEAT	TFM1600 NRG	2
5	BODY SEAL	GRAFOIL PTFE	2
6	SEAT RETAINER	A351-CF8M	2
7	STEM	A276-316	1
8	STEM THRUST WASHER	TFM1600 SUPRALON	1
9	STEM SEAL	GRAFOIL TFM1600	4
10	GLAND FOLLOWER	304 STAINLESS STEEL	1
11	STOP PLATE	316 STAINLESS STEEL	1
12	BELLEVILLE WASHER	301 STAINLESS STEEL	2
13	STEM NUT	304 STAINLESS STEEL	1
14	LOCK TAB	304 STAINLESS STEEL	1
15	HANDLE ADAPTER	316 STAINLESS STEEL	1
16	PIPE HANDLE	316 STAINLESS STEEL	1
17	HANDLE BOLT	304 STAINLESS STEEL	1
18	STOP PIN	304 STAINLESS STEEL	2
19	BODY BOLT	304 STAINLESS STEEL	16

DRAWN BY E.P.  
 CHECKED BY E.G.  
 APPROVED BY J.S.  
(FOR REF ONLY IF NOT APPROVED)

DATE 06/07/2017  
 DATE 07/02/2018  
 DATE 07/02/2018

**SVF Flow Controls**  
 5595 Fresca Drive • La Palma, CA 90623 • 1.800.783.7836  
 www.SVF.net • Sales@SVF.net

PROJECTION THIRD ANGLE

DESCRIPTION:  
 3" - 4" FS7 3-PIECE FIRE SAFE BALL VALVE, REGULAR PORT  
 UNITS: INCH (MILLIMETERS) DATE: 07/02/2018 REV: C