

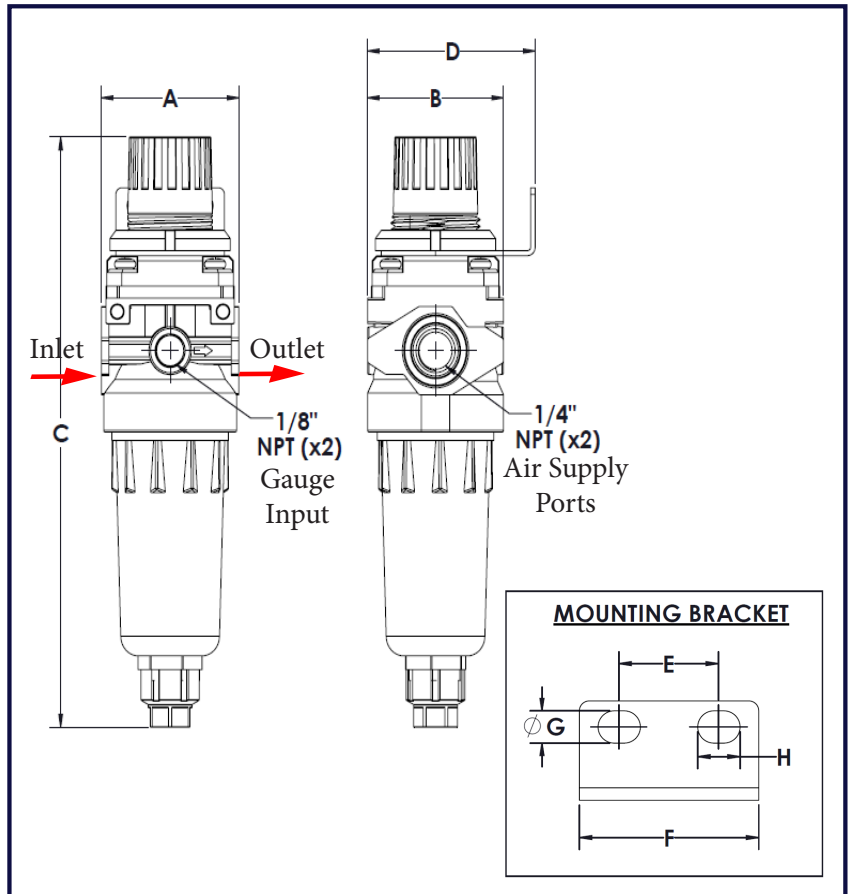
SERIES VW DESIGN FEATURES

- ✓ Universal Mounting
- ✓ Die-cast Aluminum Alloy Body
- ✓ Maximum Pressure - 230 psi
- ✓ With Gauges (0-160 psi /0-11 Bar)

SPECIFICATIONS

Part	Material
Pipe Threads	1/4" & 1/8" NPT
Body Material	Die-cast Aluminum Alloy
Filter Element Size	5, 25, 50 micron
Filter Element Material	Plastic (Polypropylene)
Maximum Inlet Pressure	230 psi (15.9 bar)
Output Pressure Range	0-160 psi (0-11 bar)
Maximum Operating Temp.	176°F (80°C)
Standard Nominal Flow Rate	1/463 scfm (30 dm ³ /sec) 3/884 scfm (40 dm ³ /sec) 1/2105 scfm (50 dm ³ /sec)
Drain	Manual
Regulator Type	Relieving
Pressure Adjustment	Non-rising plastic knob

*Values indicated are with 50 micron elements, with finer elements these values will be lower



PART NUMBER & DIMENSIONS (inches)

Part Number	A	B	C	D	E	F	G	H
VW-20B	1.77	1.77	6.69	2.00	0.79	1.42	0.26	0.33

What do you need today?™

HIGH PURITY VALVES
CleanFLOW

PRO-SPEC
PROCESS SPECIFIC

QUALITY FLOWS THROUGH US