

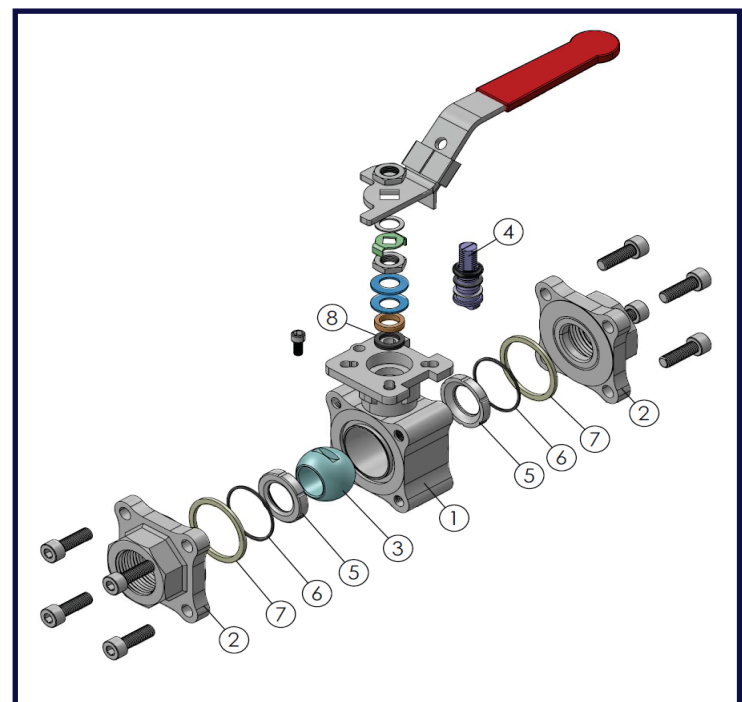
The SVF Series FB9 (Full Port) are high performance, three-piece, fire-safe ball valves certified to the latest API-607 and API-608 standards. These valves satisfy a wide range of industrial applications for processing and handling flammable fluids.

SERIES FB9 DESIGN FEATURES

- ✓ Fire-safe certification to API-607
- ✓ Certified to API-608 to meet the additional design, operational and performance requirements of the Petroleum Refining, Petrochemical Processing and Chemical Processing Industries
- ✓ Secondary metal back up seat
- ✓ Anti-Static stem device
- ✓ Encapsulated body seals to facilitate welding without disassembly
- ✓ Live-loaded stem packing ensures seal-tight pressure containment even under thermal cycling
- ✓ ISO 5211 mounting pad for "Direct Mount" actuation
- ✓ Standard seat material is TFM1600™
- ✓ Blowout proof stem adds safety & reliability
- ✓ Class 800

MATERIALS OF CONSTRUCTION

ITEM	DESCRIPTION	MATERIALS SPECIFICATIONS
1	Body	316 Stainless Steel (ASTM A351-CF8M) Carbon Steel (ASTM A216-WCB)
2	End Connector	316 Stainless Steel (ASTM A351-CF8M) Carbon Steel (ASTM A216-WCB)
3	Ball	316 Stainless Steel (ASTM A351-CF8M)
4	Stem	316 Stainless Steel (ASTM A479)
5	Seat	TFM1600™
6	Body Seal	Grafoil®
7	Body Seal	PTFE
8	Stem Seal	Grafoil®



FB9 SERIES FOR AUTOMATION

FB9 valves feature direct mounting for pneumatic or electric automation. This feature reduces the cost and additional size and weight of valves requiring a mounting adapter kit.



What do you need today?™

HIGH PURITY
CleanFLOW®

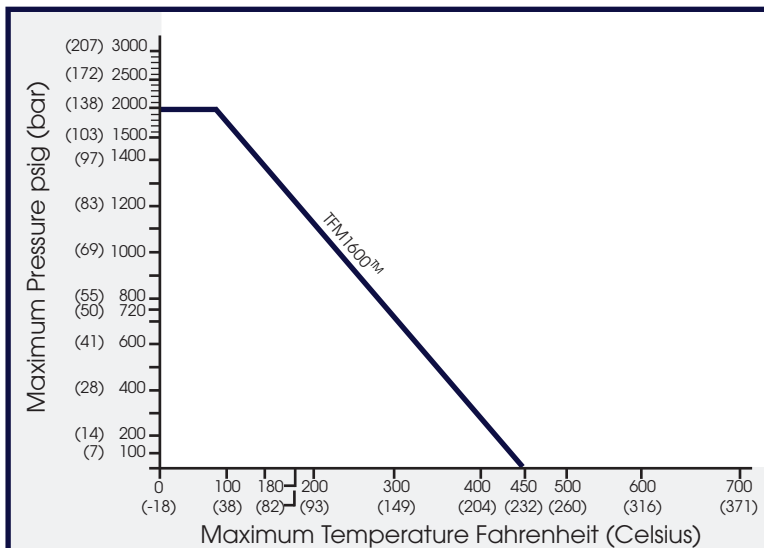
PRO-SPEC
PROCESS SPECIFIC

QUALITY FLOWS
THROUGH US

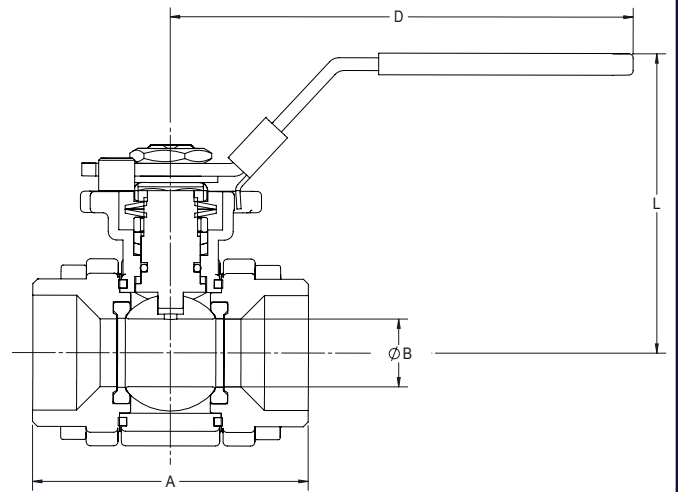
DIMENSIONS, WEIGHT, CV, TORQUE

Size	A		B		D		L		Weight		Cv	Torque*	
	in.	mm	in.	mm	in.	mm	in.	mm	lbs	kg		in-lbf	Nm
1/4"	2.95	75	0.43	11	4.41	112	3.10	78	1.7	0.8	12	62	7
3/8"	2.95	75	0.43	11	4.41	112	3.10	78	1.7	0.8	14	62	7
1/2"	2.95	75	0.55	14	4.41	112	3.10	78	1.9	0.9	42	97	11
3/4"	3.15	80	0.79	20	7.32	186	3.50	89	2.9	1.3	73	150	17
1"	3.54	90	0.98	25	7.80	198	3.90	99	4.2	1.9	113	221	25
1-1/4"	4.34	110	1.24	32	7.80	198	4.72	120	6.2	2.8	183	285	32
1-1/2"	4.72	120	1.46	37	7.80	198	4.88	124	9.7	4.4	273	443	50
2"	5.51	140	1.97	50	7.80	198	5.55	141	14.8	6.7	485	575	65

FB9 - PRESSURE/TEMPERATURE CHART



* At full differential pressure for clean fluids with TFM1600™ Seats



HOW TO ORDER SERIES FB9 BALL VALVES

Please refer to the next page for our comprehensive How to Order Guide for Series FB9 Ball Valves.

Ordering Code Sequence (Columns 1 thru 11)

1	2	3	4	5	6
SERIES	BODY	ENDS	BALL	STEM	SEAT MATERIAL
FB90	4 = Carbon Steel ASTM A216 - WCB 6 = 316 Stainless Steel ASTM A351 - CF8M	4 = Carbon Steel ASTM A216 - WCB 6 = 316 Stainless Steel ASTM A351 - CF8M	6 = 316 Stainless Steel ASTM A351 - CF8M	6 = 316 Stainless Steel ASTM A479	A = TFM1600™

7	8	9	10	11
BODY SEAL	END CONNECTIONS	VALVE SIZE	OPTIONS*	SPECIAL SERVICES*
G = GRAFOIL	SEO = Threaded Ends (FNPT) SWO = Socket Weld Ends	002 = 1/4" 003 = 3/8" 005 = 1/2" 007 = 3/4" 010 = 1" 012 = 1-1/4" 015 = 1-1/2" 020 = 2"	00 = None	00 = None XC = Oxygen Cleaned SF = Degreased (Silicone Free) UH = Vent/Relief Hole ¹ AE = Oxygen Cleaned & Vent/Relief Hole AK = Degreased & Vent Hole

Order Example: (FB906666AGSE00100000) The Part Number will contain 20 digits.

Ordering Code Sequence >>	1	2	3	4	5	6	7	8	9	10	11
Sample Part Number >>	FB90	6	6	6	6	A	G	SEO	010	00	00
	Valve Series	Body Material	End Material	Ball	Stem	Seat Material	Seal Material	End Connections	Valve Size	Options*	Special Services*

Anti-Static Device is part of the standard assembly of these Valves.

¹ Vent Hole is on the Upstream Side

* Not all Options or Special Services available on all ball valves. Consult SVF for additional information.