

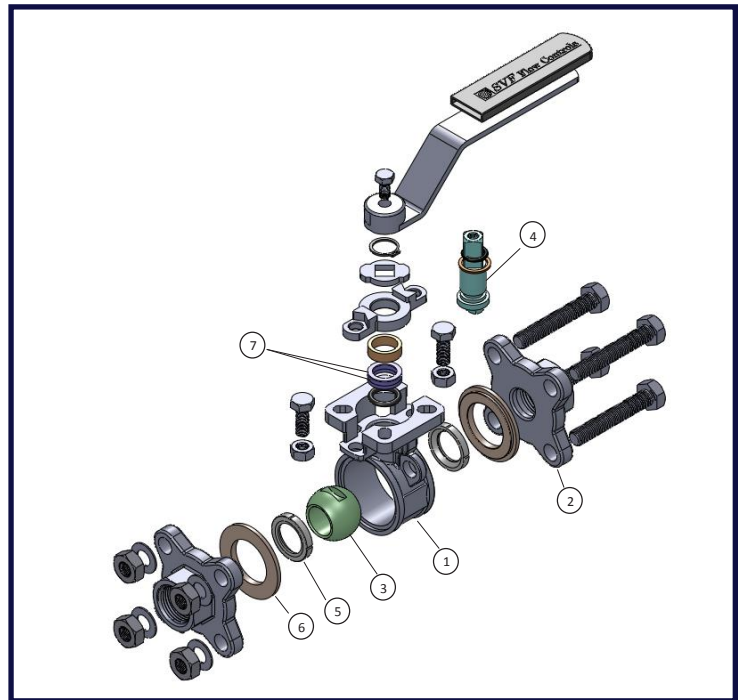
The SVF Series EZ9B valves are designed for superior performance in general purpose, plant-wide applications. The direct-mount feature reduces the size and weight of traditional automated valves. EZ9B series features stem seal glands that can be adjusted on actuated valves without removing the actuator.

### SERIES EZ9B DESIGN FEATURES

- ✓ Designed & built for economical performance
- ✓ Pressure rated for 1,000 WOG
- ✓ Socket weld complies with ANSI B16.11
- ✓ Full Port flow path for maximum flow
- ✓ Anti-Static stem device standard
- ✓ Built-In ISO 5211 direct mounting pad for easy automation
- ✓ End connections include SE (Screwed Ends, FNPT) and SW (Socket Weld)
- ✓ Three-piece "swing out" design offers easy access for in-line maintenance
- ✓ Blowout proof stem adds safety & reliability
- ✓ Adjustable stem seal gland
- ✓ Chevron (V-Ring) stem seals assures low friction and leak tight performance

### MATERIALS OF CONSTRUCTION

ITEM #	DESCRIPTION	MATERIALS SPECIFICATIONS
1	Body	316 Stainless Steel (ASTM A351- CF8M)
2	End Connector	316 Stainless Steel (ASTM A351- CF8M)
3	Ball	316 Stainless Steel (ASTM A351- CF8M)
4	Stem	316 Stainless Steel (ASTM A276)
5	Seat	PTFE
6	Body Seal	PTFE
7	Stem Seal	PTFE



### SERIES "EZ" FOR AUTOMATION

EZ9B valves feature direct mounting for pneumatic or electric automation. This feature reduces the cost and additional size and weight of valves requiring a mounting adapter kit.



*What do you need today?*™

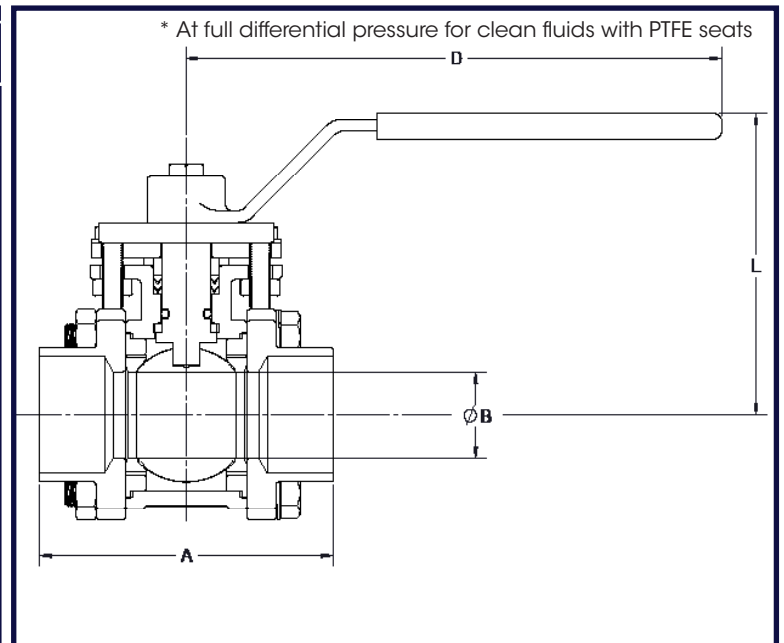
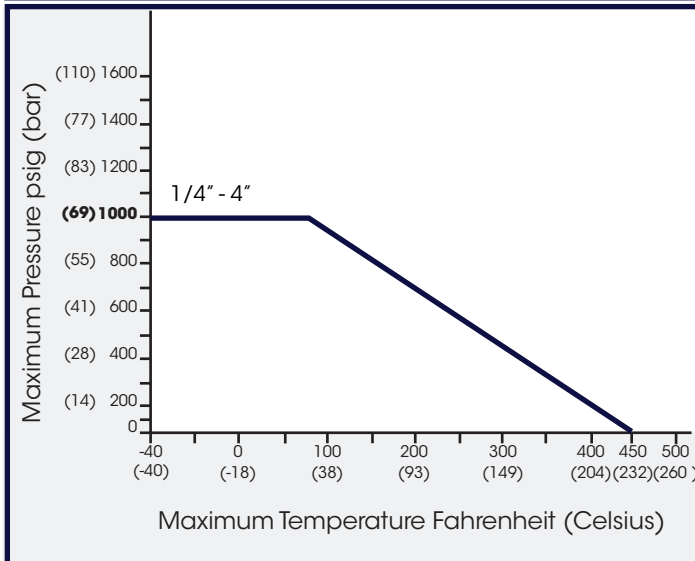
HIGH PURITY VALVES  
**CleanFLOW**

**PRO-SPEC**  
PROCESS SPECIFIC

**QUALITY FLOWS**  
THROUGH US

**DIMENSIONS, WEIGHT, Cv, TORQUE**

Size	A		B		D		L		Weight		Cv	Torque*	
	in.	mm	in.	mm	in.	mm	in.	mm	lbs	kg		in-lbf	Nm
1/4"	2.48	63	0.47	12	4.92	125	2.91	74	1.6	0.73	6	35	4
3/8"	2.48	63	0.51	13	4.92	125	2.91	74	1.6	0.73	7	35	4
1/2"	2.48	63	0.59	15	4.92	125	2.91	74	1.6	0.73	10	35	4
3/4"	2.87	73	0.79	20	4.92	125	3.07	78	1.8	0.82	25	44	5
1"	3.35	85	0.98	25	6.10	155	3.50	89	2.6	1.18	35	112	13
1-1/4"	3.78	96	1.26	32	6.10	155	3.70	94	4.0	1.81	46	174	20
1-1/2"	4.49	114	1.50	38	7.28	185	4.33	110	6.4	2.90	80	280	32
2"	5.28	134	1.97	50	7.28	185	4.65	118	8.6	3.90	110	323	37
2-1/2"	7.09	180	2.55	65	13.86	352	6.34	161	18.1	8.2	310	420	47
3"	7.87	200	3.15	80	13.86	352	6.69	170	28.4	12.88	360	588	66
4"	8.98	228	3.97	100	15.63	397	7.95	202	46.9	21.27	820	774	87

**EZ9B -PRESSURE/TEMPERATURE CHART**

**HOW TO ORDER SERIES EZ9B BALL VALVES**

Please refer to the next page for our comprehensive  
 How to Order Guide for Series EZ9B Ball Valves.

Ordering Code Sequence (Columns 1 thru 11)

1	2	3	4	5
SERIES	BODY	ENDS	BALL	STEM
EZ9B	6 = 316 Stainless Steel ASTM A351- CF8M	6 = 316 Stainless Steel ASTM A351- CF8M	6 = 316 Stainless Steel ASTM A351- CF8M	6 = 316 Stainless Steel ASTM A276

6	7	8	9	10	11
SEAT	SEAL	END CONNECTIONS	VALVE SIZE	OPTIONS*	SPECIAL SERVICES*
T = PTFE	T = PTFE	SE0 = SCREWED ENDS (FNPT) SW0 = SOCKET WELD ENDS	002 = 1/4" 003 = 3/8" 005 = 1/2" 007 = 3/4" 010 = 1" 012 = 1-1/4" 015 = 1-1/2" 020 = 2" 025 = 2-1/2" 030 = 3" 040 = 4"	00 = None	00 = None

The EZ9B is part of our family of Direct Mount Packages.  
For more information, please visit [www.SVF.net](http://www.SVF.net)

Order Example: (EZ9B6666TTSE00100000) The Part Number will contain 20 digits.

Ordering Code Sequence >>	1	2	3	4	5	6	7	8	9	10	11
Sample Part Number >>	EZ9B	6	6	6	6	T	T	SE0	010	00	00
	Valve Series	Body Material	End Material	Ball	Stem	Seat Material	Seat Material	End Connections	Valve Size	Options*	Special Services*

\* Not all Options or Special Services available on all ball valves. Consult SVF for additional information