

Automation & Controls Product Group of SVF Flow Controls



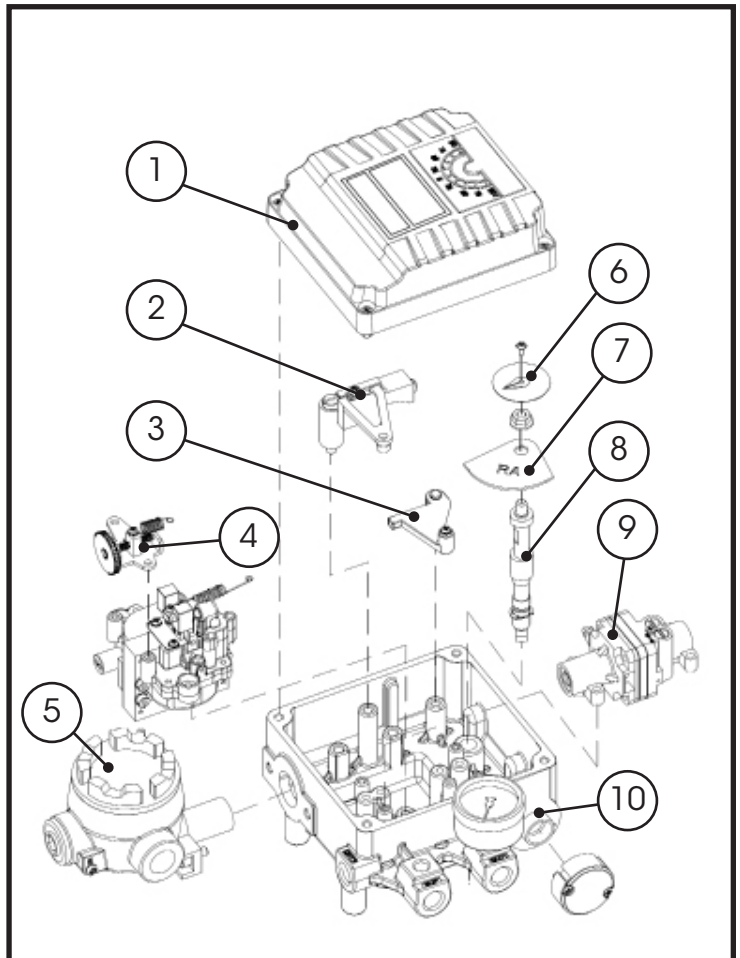
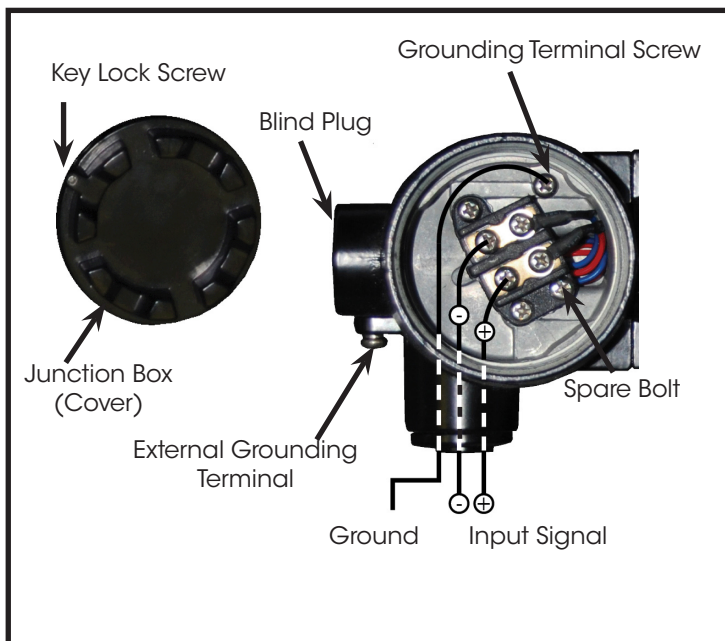
The EXACT-XL Electro-Pneumatic Positioner controls the position of a rotary actuator and its final control element by modulating the flow of supply air to the actuator in response to an analog control signal of 4-20 mA. The EXACT-XL positioner can be installed on a Spring Return or Double Acting rotary actuator. The air consumption of the EXACT-XL is 0.23 SCFM (at 80 psi).

MATERIALS OF CONSTRUCTION

ITEM #	DESCRIPTION	MATERIAL
1	Cover	Die-cast aluminum
2	Span Unit	Die-cast aluminum
3	Connector	Die-cast aluminum
4	Zero Unit	Stainless Steel
5	Junction Box	Die-cast aluminum
6	Indicator	Aluminum (Sheet)
7	Cam	Stainless Steel
8	NAMUR Shaft	Stainless Steel
9	Pilot Valve	Die-cast aluminum
10	Base Body	Die-cast aluminum



EXACT-XL™ WIRING DIAGRAM

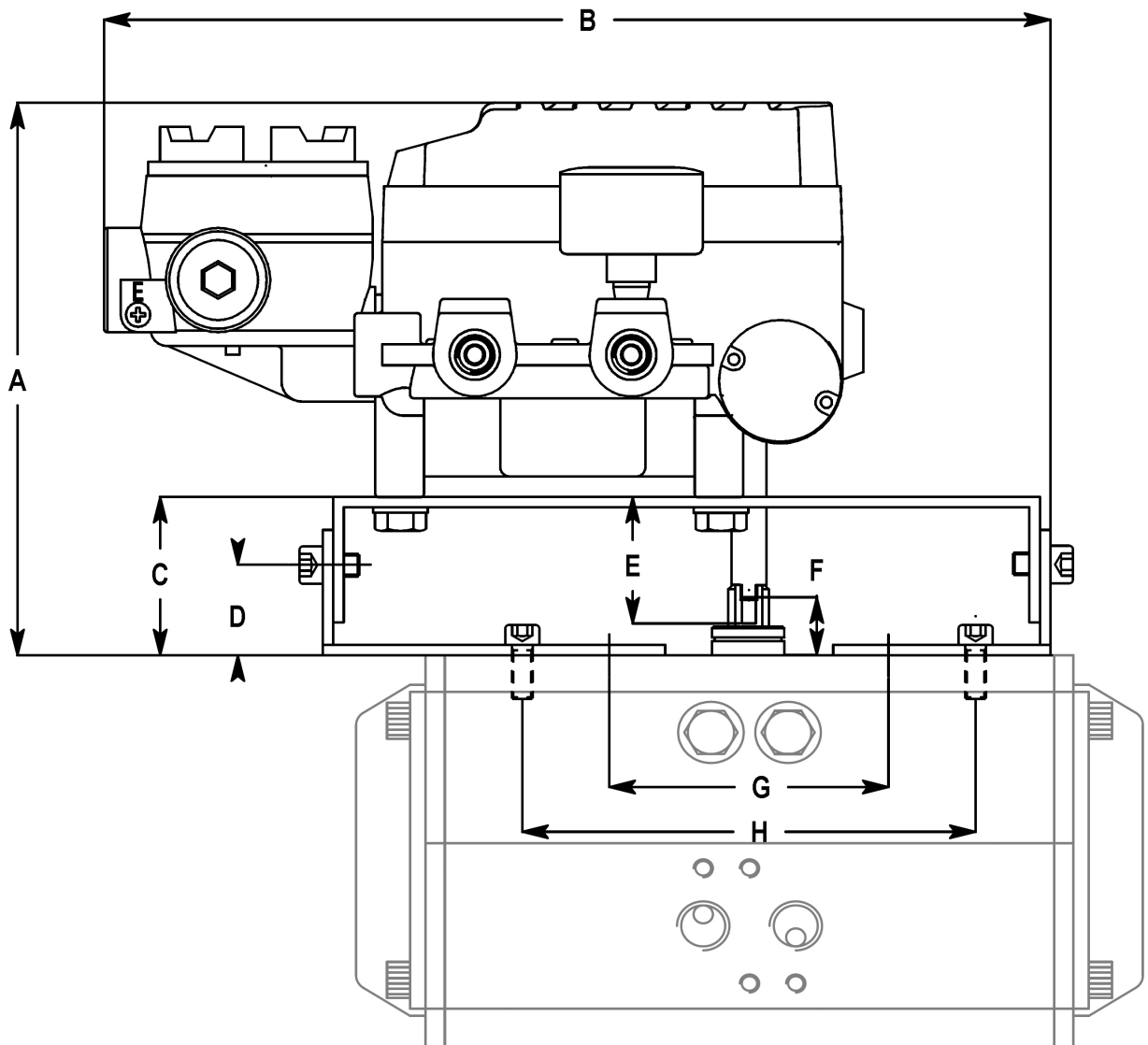




EXACT-XL™ DIMENSIONS (PAGE 1 OF 2)

A		B		C		D		E		F		G*		H*	
in.	mm	in.	mm	in.	mm	in.	mm	in.	mm	in.	mm	in.	mm	in.	mm
6.36	162	10.7	272	1.77	45	1.04	26	1.32	34	0.79	20	3.15	80	5.12	130

* Standard NAMUR Dimensions



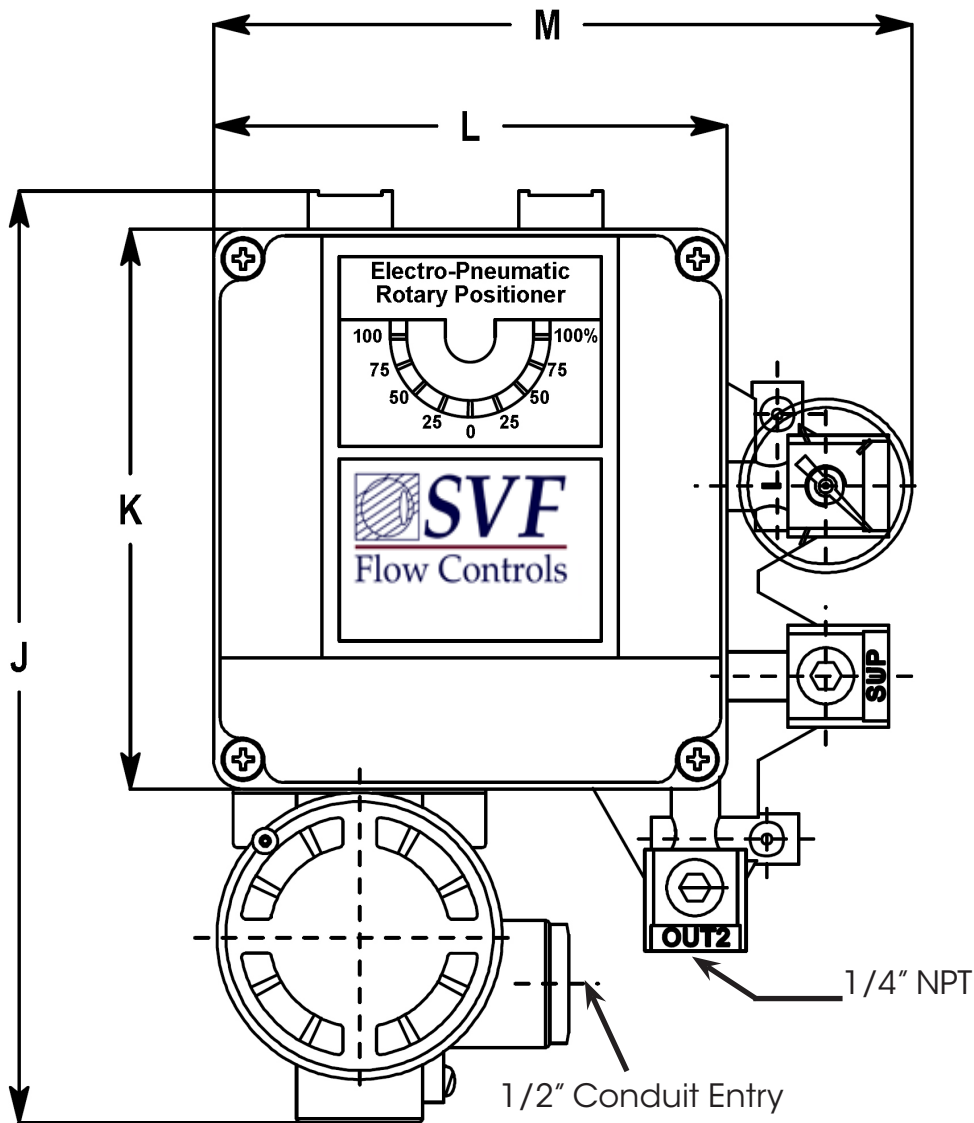
ORDER CODE PART NUMBER: EXACT-XL



EXACT-XL™ DIMENSIONS (PAGE 2 OF 2)

J		K		L		M		Air Consumption*	
in.	mm	in.	mm	in.	mm	in.	mm	SLPM	SCFM
8.66	220	5.24	133	4.80	122	6.49	165	6.5	0.23

* Air Consumption @ 80psi



ORDER CODE PART NUMBER: EXACT-XL