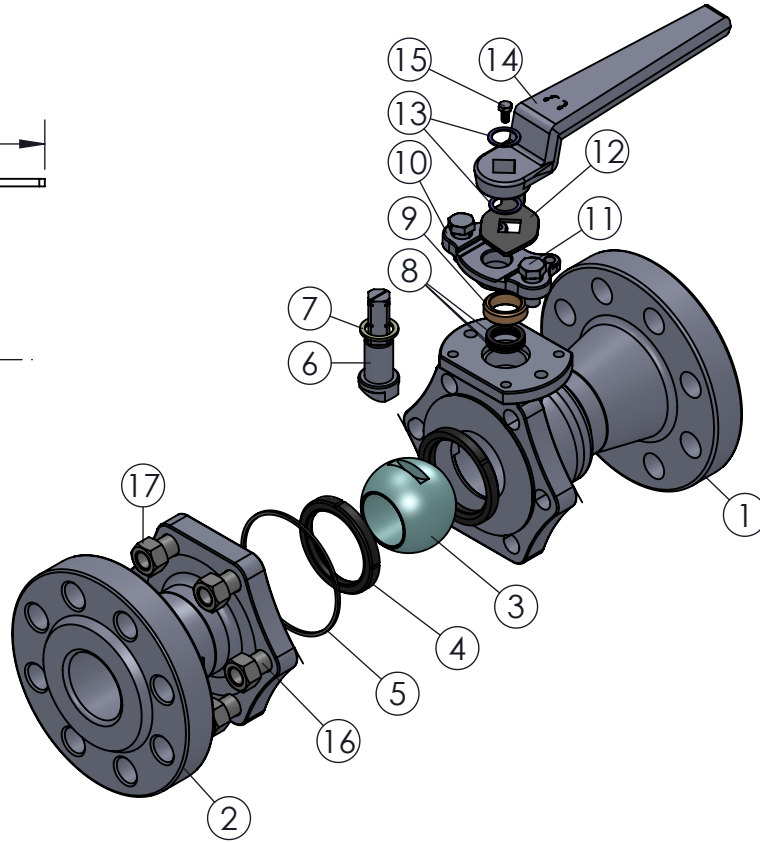
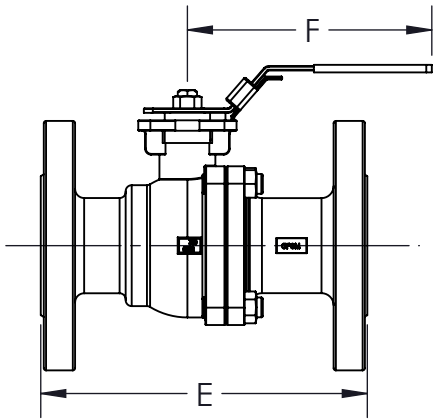
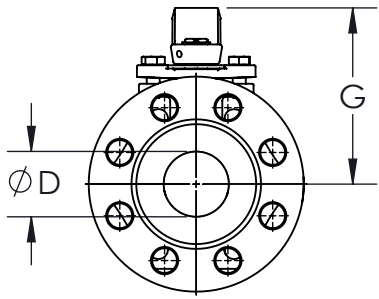


\*TORQUES LISTED AT FULL DIFFERENTIAL PRESSURE

| SIZE   | A         | B        | C         | øD         | E           | F           | G           | J         | K         | øL         | M         | øW          | ISO 5211 | WEIGHT (lbs) | Cv   | TORQUE* (in-lbf) |
|--------|-----------|----------|-----------|------------|-------------|-------------|-------------|-----------|-----------|------------|-----------|-------------|----------|--------------|------|------------------|
| 1/2"   | 0.46 (11) | 0.12 (3) | 0.91 (23) | 0.59 (15)  | 6.50 (165)  | 5.12 (130)  | 3.41 (87)   | 0.35 (9)  | M5-0.8    | 1.65 (42)  | 1.06 (27) | N/A         | F04      | 7            | 11   | 57               |
| 3/4"   | 0.48 (12) | 0.12 (3) | 0.91 (23) | 0.79 (20)  | 7.50 (190)  | 5.12 (130)  | 3.52 (90)   | 0.35 (9)  | M5-0.8    | 1.65 (42)  | 1.06 (27) | N/A         | F04      | 11           | 26   | 69               |
| 1"     | 0.55 (14) | 0.12 (3) | 1.06 (27) | 0.98 (25)  | 8.50 (216)  | 6.30 (160)  | 4.02 (102)  | 0.43 (11) | M6-1.0    | 1.97 (50)  | 1.34 (34) | N/A         | F05      | 14           | 42   | 126              |
| 1-1/2" | 0.75 (19) | 0.20 (5) | 1.36 (34) | 1.50 (38)  | 9.50 (241)  | 7.87 (200)  | 4.92 (125)  | 0.55 (14) | M8-1.25   | 2.76 (70)  | 1.73 (44) | N/A         | F07      | 29           | 120  | 322              |
| 2"     | 0.75 (19) | 0.20 (5) | 1.36 (34) | 1.97 (50)  | 11.50 (292) | 10.43 (265) | 5.35 (136)  | 0.55 (14) | M8-1.25   | 2.76 (70)  | 1.73 (44) | N/A         | F07      | 38           | 190  | 484              |
| 3"     | 1.04 (26) | 0.31 (8) | 1.98 (50) | 2.99 (76)  | 14.00 (356) | 15.75 (400) | 6.69 (170)  | 0.67 (17) | M10-1.5   | 4.02 (102) | 1.65 (42) | N/A         | F10      | 78           | 600  | 1288             |
| 4"     | 1.21 (31) | 0.31 (8) | 2.18 (55) | 3.94 (100) | 17.00 (432) | 15.75 (400) | 8.66 (220)  | 0.87 (22) | M10-1.5   | 4.02 (102) | 1.81 (46) | N/A         | F10      | 150          | 1650 | 1866             |
| 6"     | N/A       | N/A      | 1.06 (27) | 5.91 (150) | 22.00 (559) | N/A         | 23.90 (607) | 1.06 (27) | 0.87 (22) | 6.54 (166) | N/A       | 28.00 (711) | F16      | 536          | 2600 | 8800             |
| 8"     | N/A       | N/A      | 1.42 (36) | 7.91 (201) | 26.00 (660) | N/A         | 26.10 (664) | 1.42 (36) | 0.87 (22) | 6.54 (166) | N/A       | 28.00 (711) | F16      | 877          | 4200 | 17000            |



**PRODUCT INFORMATION:**

- STANDARD LOCKING HANDLE (SIZES 1/2" - 4")
- ANTI-STATIC DEVICE
- BALL IS VENTED ON THE STEM SLOT AREA
- SIZES 6" AND 8" ARE ALSO AVAILABLE IN TRUNNION DESIGN (SERIES B43T)
- COMPLETE VALVE AUTOMATION

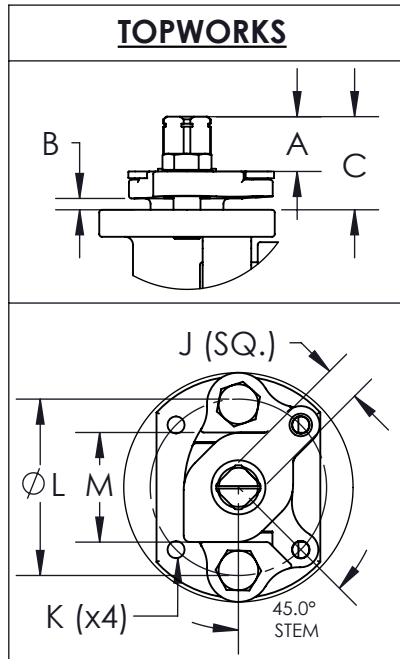
**OPTIONS:**

- STEAM JACKET

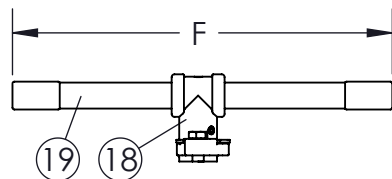
**APPLICABLE STANDARDS:**

- NACE MR0175
- ASME B16.34: DESIGN AND WALL THICKNESS
- ASME B16.10: FACE TO FACE
- ASME B16.5: END FLANGE
- API 598: INSPECTION AND TESTING
- API 607: FIRE SAFE (WITH GRAFOIL BODY SEALS ONLY)
- ISO 5211: MOUNTING
- USP CLASS VI: CONFIRMATION OF COMPLIANCE (TFM1600/PTFE MATERIAL)

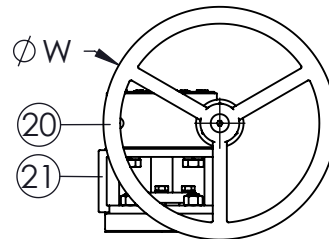
| ITEM NO. | DESCRIPTION                         | MATERIALS           | QTY. |
|----------|-------------------------------------|---------------------|------|
| 1        | BODY                                | A351-CF8M A216-WCB  | 1    |
| 2        | END                                 | A351-CF8M A216-WCB  | 1    |
| 3        | BALL                                | A351-CF8M           | 1    |
| 4        | SEAT                                | SUPRALON            | 2    |
| 5        | BODY SEAL                           | SPW316+GRAFOIL      | 1    |
| 6        | STEM                                | A276-316            | 1    |
| 7        | STEM THRUST WASHER                  | SUPRALON            | 1    |
| 8        | STEM SEAL                           | GRAFOIL             | 3    |
| 9        | GLAND                               | 316 STAINLESS STEEL | 1    |
| 10       | PACKING GLAND                       | A351-CF8            | 1    |
| 11       | GLAND BOLT                          | A193-B8             | 2    |
| 12       | STOPPER                             | 304 STAINLESS STEEL | 1    |
| 13       | SNAP RING                           | 304 STAINLESS STEEL | 2    |
| 14       | HANDLE (SIZES 1/2" - 2")            | CAST IRON           | 1    |
| 15       | HANDLE BOLT                         | A193-B8             | 1    |
| 16       | BODY BOLT                           | A193-B8             | 6    |
| 17       | BODY NUT                            | A194-B8             | 6    |
| 18       | PIPE HANDLE ADAPTER (SIZES 3" - 4") | A351-CF8            | 1    |
| 19       | PIPE HANDLE (SIZES 3" - 4")         | 304 STAINLESS STEEL | 1    |
| 20       | WORM GEAR (SIZES 6" - 8")           | 316 STAINLESS STEEL | 1    |
| 21       | GEAR BOX (SIZES 6" - 8")            | A216-WCB            | 1    |



**SIZES 3" & 4" WITH PIPE HANDLE:**



**SIZES 6" & 8" WITH GEAR OPERATOR:**



DRAWN BY E.P. DATE 07/10/2017  
 CHECKED BY E.G. DATE 12/04/2018  
 APPROVED BY J.S. DATE 12/04/2018

PROJECTION THIRD ANGLE

**SVF Flow Controls**  
 5595 Fresca Drive • La Palma, CA 90623 • 1.800.783.7836  
 www.SVF.net • Sales@SVF.net

DESCRIPTION: 1/2" - 8" B43C FLANGED BALL VALVE, ANSI CLASS 600, FULL PORT

UNITS: INCH (MILLIMETERS) DATE: 12/04/2018 REV: C