

The SVF Series 7B41 Flanged, Full Ported Ball Valves are designed specifically for Hydrogen Peroxide Service. The materials of construction have been selected to meet the specific needs of Hydrogen Peroxide and the valve internals are designed to eliminate areas of entrapment where decomposition may occur.

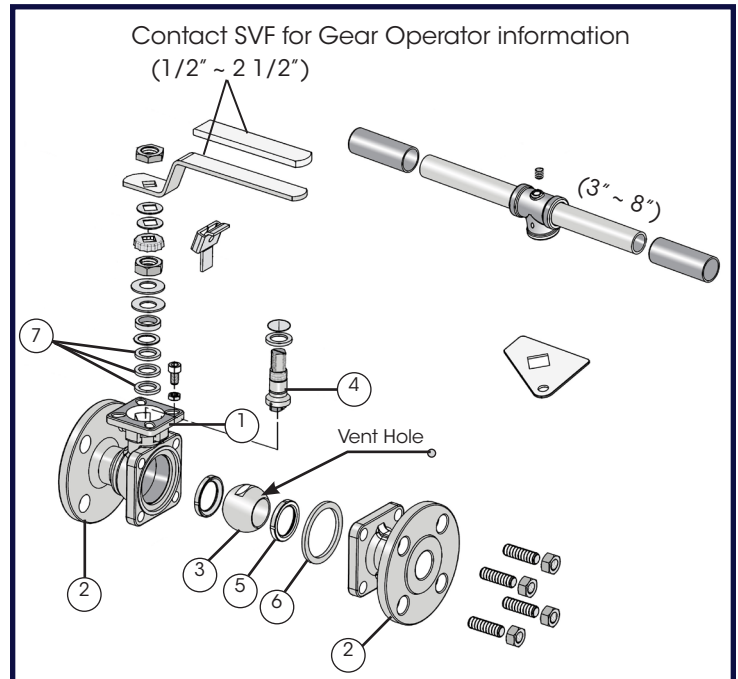
### SERIES 7B41 DESIGN FEATURES

- ✓ 316 Stainless Steel cast materials are passivated for H<sub>2</sub>O<sub>2</sub> applications
- ✓ All valves are cleaned, bagged and sealed according to ASTM G-93 to remove contaminants
- ✓ An upstream vented ball provides pressure relief in the "Open" or "Closed" position
- ✓ TFM1600™ seats and PTFE seals are compatible with H<sub>2</sub>O<sub>2</sub>
- ✓ Permanently affixed flow arrow ensures pressure relief alignment with process design
- ✓ Built-In ISO 5211 direct mounting pad for easy automation



### MATERIALS OF CONSTRUCTION

ITEM	DESCRIPTION	MATERIALS SPECIFICATIONS
1	Body	316 Stainless Steel (ASTM A351- CF8M)
2	End Cap	316 Stainless Steel (ASTM A351- CF8M)
3	Ball	316 Stainless Steel (ASTM A351- CF8M)
4	Stem	316 Stainless Steel (ASTM A276 - 316)
5	Seat	TFM1600™
6	Body Seal	PTFE
7	Stem Seal	PTFE



### SPECIFICATION STANDARDS OF COMPLIANCE

- Stainless Materials are ASTM A351- CF8M
- Cleaning as per ASTM G-93
- Passivated and tested to ASTM A380 unless otherwise specified
- ANSI Class 150# Flanged
- Face to Face according to ASME B16.10
- Inspection & Testing according to API 598

Series 7B41  
Flanged Ball Valve  
with SVF Series  
EZ-TORK actuator



*What do you need today?*™

HIGH PURITY VALVES  
**CleanFLOW**

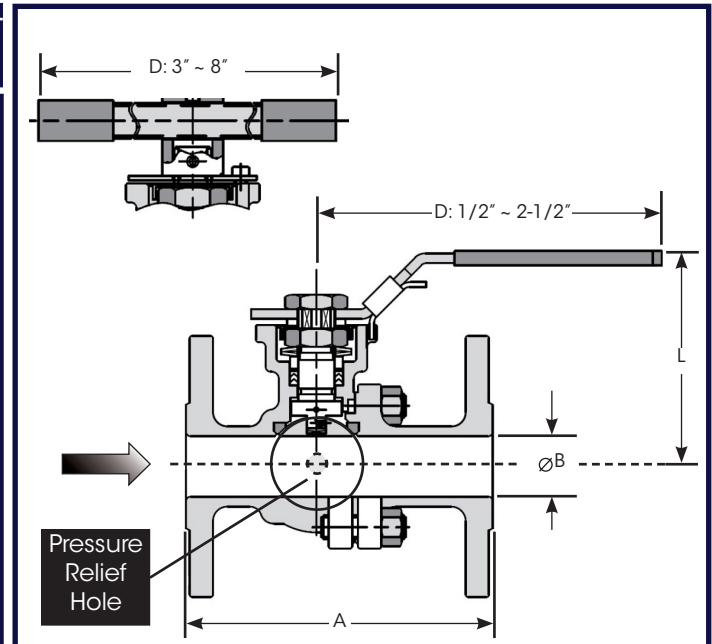
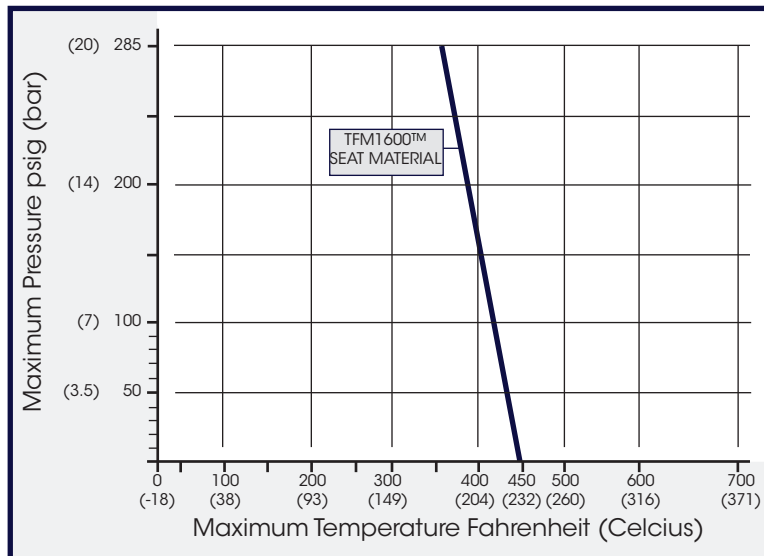
**PRO-SPEC**  
PROCESS SPECIFIC

**QUALITY FLOWS  
THROUGH US**

#### DIMENSIONS, WEIGHT, CV, TORQUE

Size	A		B		D		L		Weight		Cv	Torque*	
	in.	mm	in.	mm	in.	mm	in.	mm	lbs	kg		in-lbf	Nm
1/2"	4.25	108	0.59	15	5.70	145	3.1	78	4	1.8	25	63	8
3/4"	4.62	117	0.79	20	5.70	145	3.3	84	5	2.2	45	76	9
1"	5.00	127	0.98	25	6.90	175	3.5	89	6	2.7	85	139	16
1-1/2"	6.50	165	1.50	38	7.50	190	4.2	107	13	5.9	200	279	32
2"	7.00	178	1.97	50	7.50	190	4.4	112	24	10.9	320	405	46
2-1/2"	7.50	190	2.48	63	10.45	265	5.9	150	30	13.6	450	620	70
3"	8.00	203	2.99	76	11.80	300	6.3	160	38	17.4	600	1025	116
4"	9.00	229	3.94	100	15.75	400	8.0	204	69	31.5	1100	1543	175
6"	15.50	394	5.91	150	31.50	800	11.8	300	161	73.6	2600	4299	486
8"	18.00	457	7.87	200	31.50	800	11.0	279	277	126.6	4200	6158	696

#### 7B41 - PRESSURE/TEMPERATURE CHART



#### HOW TO ORDER SERIES 7B41 BALL VALVES

Please refer to the next page for our comprehensive  
How to Order Guide for Series 7B41 Ball Valves.

Ordering Code Sequence (Columns 1 thru 11)

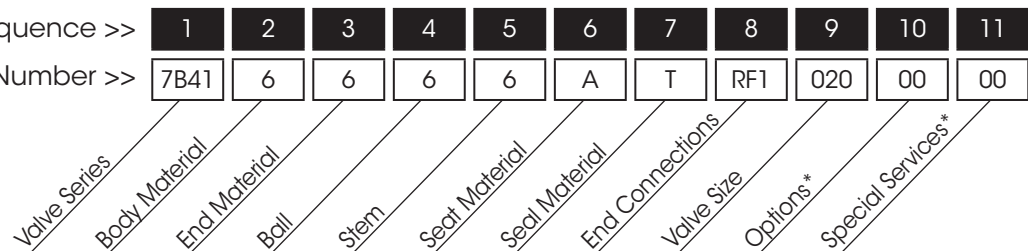
1	2	3	4	5	6
SERIES	BODY	ENDS	BALL	STEM	SEAT MATERIAL
7B41	6 = 316 Stainless Steel ASTM A351 - CF8M	6 = 316 Stainless Steel ASTM A351 - CF8M	6 = 316 Stainless Steel ASTM A351 - CF8M	6 = 316 Stainless Steel ASTM A276 - 316	A= TFM1600™

7	8	9	10	11
BODY SEAL	END CONNECTIONS	VALVE SIZE	OPTIONS*	SPECIAL SERVICES*
T = PTFE	RF1 = 150# Flanged Ends (Raised Face)	005 = 1/2" 007 = 3/4" 010 = 1" 015 = 1-1/2" 020 = 2" 025 = 2-1/2" 030 = 3" 040 = 4" 060 = 6" 080 = 8"	00 = None SX = ISO Stem Extension	00 = None

Order Example: (7B416666ATRF10200000) The part Number will contain 20 digits.

Ordering Code Sequence >>

Sample Part Number >>



**NOTE:**

Upstream vented ball is standard accessory for this valve.

Manual Valves are supplied with lockable lever handles.

Anti-Static Device is part of the standard assembly of these Valves.

\* Not all Options or Special Services available on all ball valves. Consult SVF for additional information.